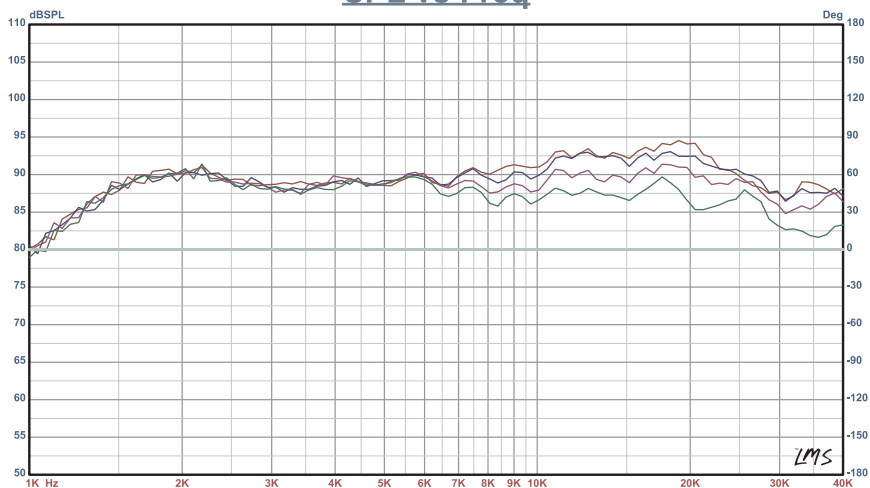


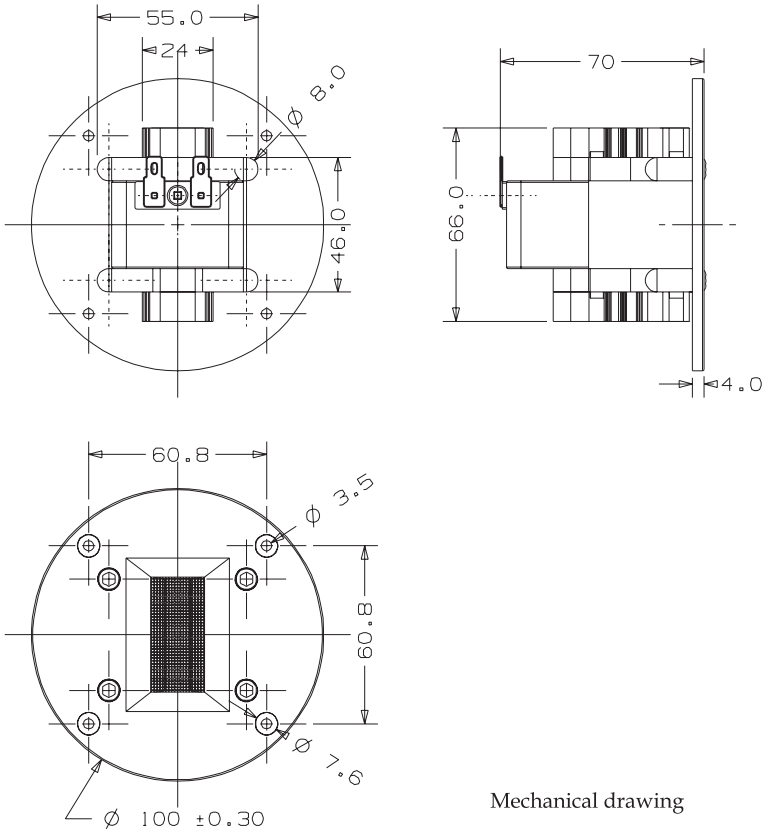
NeoCD1.0 ribbon tweeter

## FEATURE

- 1.5" enforced sandwich ribbon diaphragm
- strong Neodymium magnet
- Build-in impedance convertor
- low distortion, very fast transition

SPL vs Freq

off-axis frequency response  
on-axis, 15 degree, 30 degree and 45 degree



Mechanical drawing

Parameter	
Sensitivity	90dB/1M/2V
Power handling	12W nominal, 25W max
Frequency range	2,000-40,000Hz
Nominal impedance	5 ohm
DCR	0.02 ohm
Ribbon dimension	8mmX38mmX0.015mm
Effective ribbon area	304 square millimeter
Ribbon weight	10 milligram
Gap flux	0.50 Tesla average
Gap height	10 millimeter
recommend cut frequency	3,500Hz with -18dB
Net. Weight	410 gram