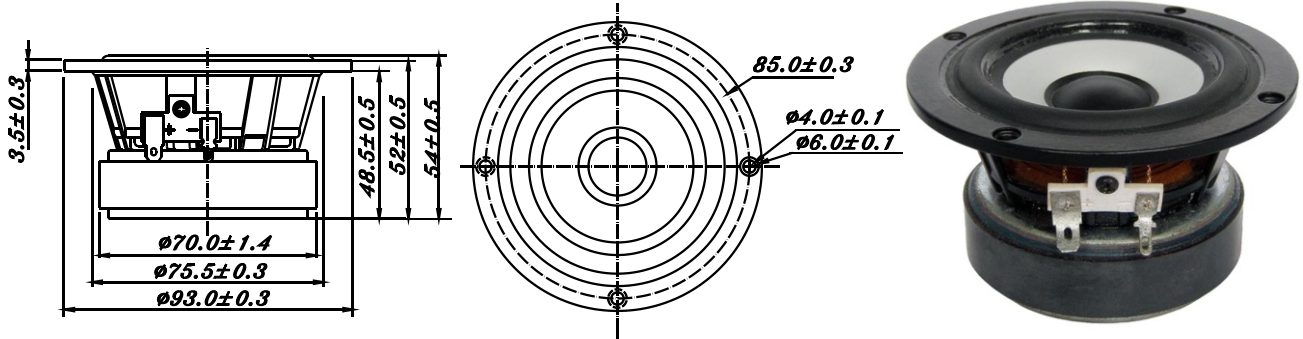


F SERIES

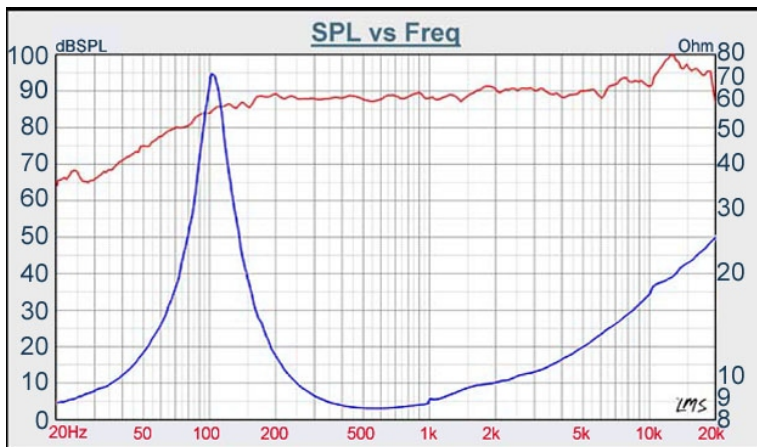
W3-315E



- FULL RANGE FREQUENCY RESPONSE
- DIE CAST BASKET
- ALUM/MG CONE WITH SANTOPRENE SURROUND
- CCAW WITH KAPTON BOBBIN

3" ALUM/MG CONE/ FULL RANGE

DIAPHRAGM MTL	Alum/Mg
SURROUND MTL	Santoprene
NOMINAL IMPEDANCE	8 Ω
DCR IMPEDANCE	6.6 Ω
SENSITIVITY 1W/1m	87 dB
FREQUENCY RESPONSE	100 - 20K Hz
FREE AIR RESONANCE	100 Hz
VOICE COIL DIAMETER	20.4 mm
AIR GAP HEIGHT	4.0 mm
RATED POWER INPUT	10 W
MAXIMUM POWER INPUT	20 W
FORCE FACTOR, BL	3.89 TM
MAGNET WEIGHT (8 oz)	216 g
MOVING MASS	2 g
FERROFLUID ENHANCED	No
SUSPENSION COMPLIANCE	1152 μMN^{-1}
EFFECTIVE PISTON AREA	0.0032 M^2
Levc	0.20 mH
Zo	70.40 ohm
X-max	1.25 mm
Vas	1.68 Litr
Qts	0.52
Qms	5.51
Qes	0.57



VOICE 886.2.26570282 FAX 886.2.26580166
E-MAIL : info@tb-speaker.com