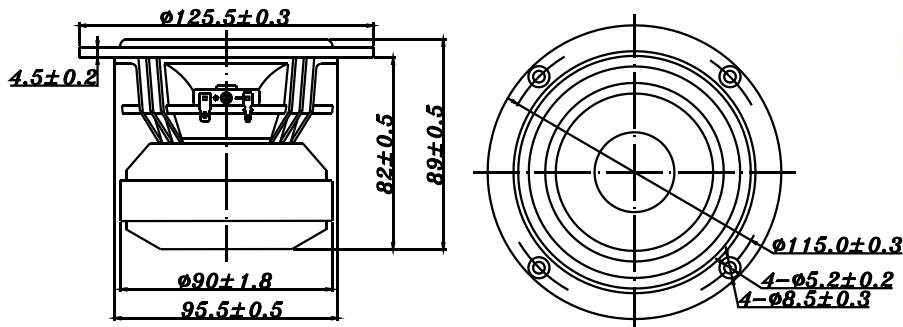


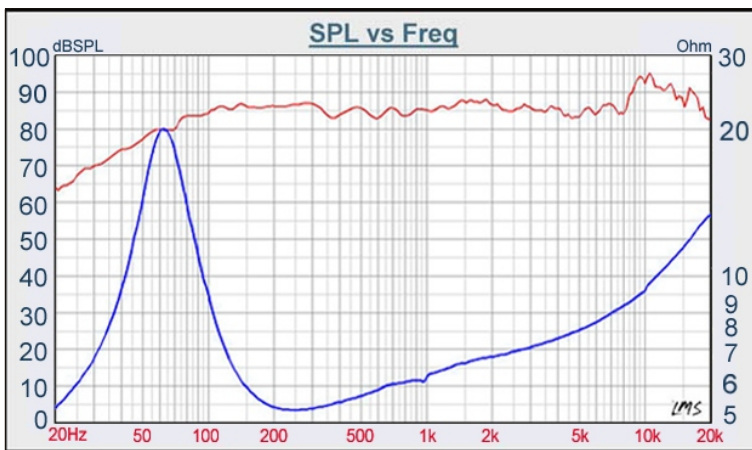
# WF SERIES

# W4-1720



- HUGE FERRITE MAGNET, UNDER HUNG MOTOR DESIGN
- SHORT RING ON POLE PIECE, VC = 32mm
- VERY LOW 2<sup>nd</sup> AND 3<sup>rd</sup> DISTORTION (LOW THD)
- LONG THROW, HIGH POWER LOADING, X<sub>max</sub> = 5mm
- ALUMINUM BASKET

## 4" MID BASS



DIAPHRAGM MTL	Paper
SURROUND MTL	Rubber
NOMINAL IMPEDANCE	4 Ω
DCR IMPEDANCE	3.8 Ω
SENSITIVITY 1W/1M	86 dB
FREQUENCY RESPONSE	60Hz-8K Hz
FREE AIR RESONANCE	60 Hz
VOICE COIL DIAMETER	32 mm
AIR GAP HEIGHT	17 mm
RATED POWER INPUT	30 W
MAXIMUM POWER INPUT	60 W
FORCE FACTOR, BL	3.82TM
MAGNET WEIGHT ( oz)	Neodymium
MOVING MASS	5 g
FERROFLUID ENHANCED	No
SUSPENSION COMPLIANCE	1284 MN <sup>-1</sup>
EFFECTIVE PISTON AREA	0.0057 M <sup>2</sup>
Levc	0.037 mH
Zo	22 ohm
X <sub>max</sub>	5 mm
Vas	5.92 Litr
Qts	0.42
Qms	2.33
Qes	0.51

VOICE: 886.2.26570282 FAX: 886.2.26580166  
E-MAIL: info@tb-speaker.com