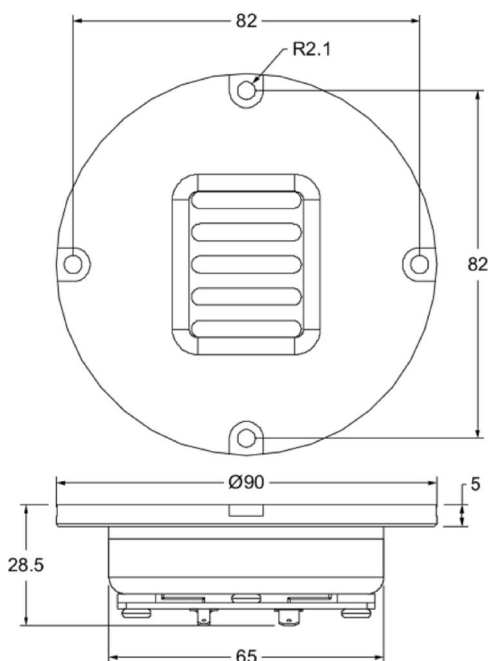




## AMT2-4 Air Motion Transformer Tweeter 4 Ohm

AMT2-4



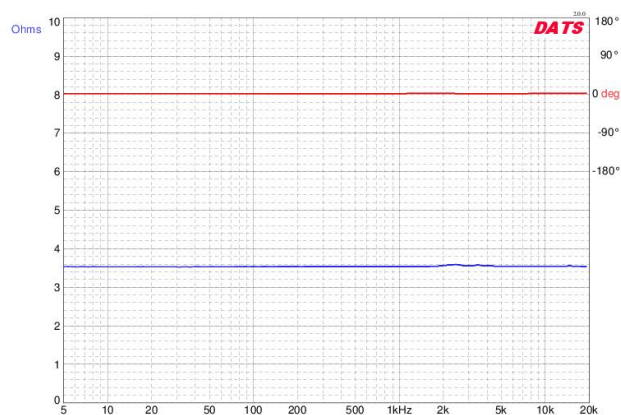
### PARAMETERS

Impedance	4 ohms
Re	3.5 ohms
Le	N/A
Fs	N/A
Qms	2.92
Qes	N/A
Qts	2.86
Mms	N/A
Cms	N/A
Sd	8.91 cm <sup>2</sup>
Vd	N/A
BL	N/A
Vas	N/A
Xmax	N/A
VC Diameter	N/A
SPL	92.5 dB @ 2.83V/1m
RMS Power Handling	15 watts
Usable Frequency Range (Hz)	2,500 - 22,000 Hz

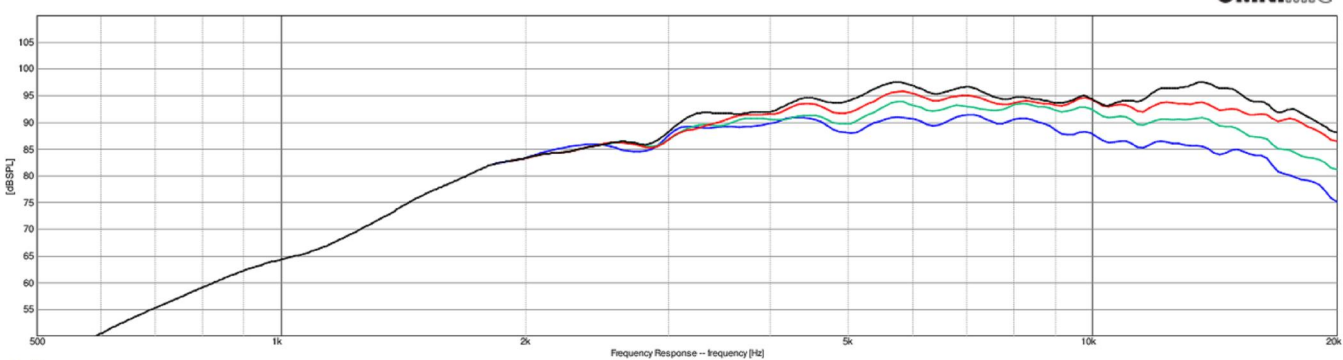
### FEATURES

- Advanced Air Motion Transformer design "squeezes" air molecules instead of shoving or crushing them
- Folded Kapton ribbon diaphragm delivers clean, detailed, and highly dynamic output
- Round metal faceplate provides easy mounting and a classic look
- Powerful, lightweight neodymium magnet structure for low distortion and high efficiency
- Sonically similar to the best metal ribbon and planar tweeters

### IMPEDANCE/PHASE



### FREQUENCY RESPONSE



Note: 1/24<sup>th</sup> octave smoothing - nearfield response included in graph below 450 Hz.

Black = 0°  
 Red = 15°  
 Green = 30°  
 Blue = 45°