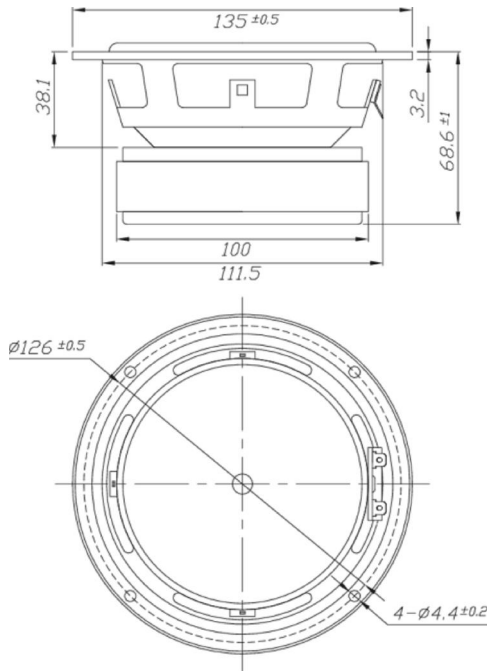


### DSA135-8 5" Designer Series Aluminum Cone Woofer 8 Ohm



PARAMETERS	
Impedance	8 ohms
Re	5.9 ohms
Le	0.78 mH @ 1 kHz
Fs	51.81 Hz
Qms	2.04
Qes	0.47
Qts	0.38
Mms	9.5g
Cms	0.99 mm/N
Sd	75.4 cm <sup>2</sup>
Vd	36.6 cm <sup>3</sup>
BL	6.22 Tm
Vas	7.93 liters
Xmax	4.9 mm
VC Diameter	25.4 mm
SPL	87 dB @ 2.83V/1m
RMS Power Handling	50 watts
Usable Frequency Range (Hz)	51 - 9,000 Hz

- FEATURES**
- Cosmetic frame with low profile lip, designed for front mounting—no countersinking required!
  - Low distortion motor system with copper shorting ring
  - Black anodized aluminum cone, half roll rubber surround for durability and accurate reproduction
  - Optimized to yield the smallest possible box volume and lowest 3 dB down point
  - Smooth frequency response and linear roll-off simplify filter design, guaranteeing good results with off-the-shelf crossovers
  - Vented pole piece for minimized power compression and maximized reliability
  - Retains the same "family look" as the popular Dayton Audio DVC Series subwoofers and passive radiators

