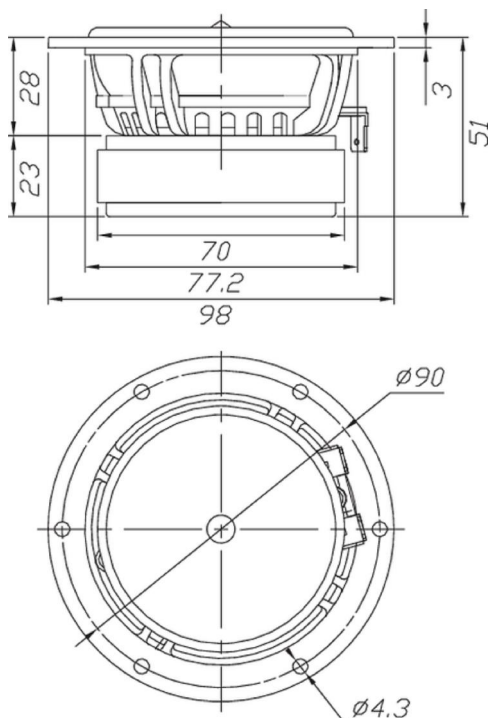


RS100-8 4" Reference Full-Range Driver 8 Ohm

RS100-8



PARAMETERS	
Impedance	8 ohms
Re	6.4 ohms
Le	0.5 mH @ 1 kHz
Fs	92.2 Hz
Qms	2.37
Qes	0.76
Qts	0.58
Mms	3.63g
Cms	0.82 mm/N
Sd	35.3 cm ²
Vd	12.4 cm ³
BL	4.2 Tm
Vas	1.43 liters
Xmax	3.5 mm
VC Diameter	25 mm
SPL	84.6 dB @ 2.83V/1m
RMS Power Handling	30 watts
Usable Frequency Range (Hz)	90 - 20,000 Hz

- FEATURES**
- One of the lowest distortion, highest resolution driver series available
 - Low-distortion high-excursion motor system with two short-circuit paths
 - Compliant suspension and rigid black anodized aluminum cone for strong bass performance
 - Heavy-duty 6-hole cast frame, low-loss rubber surround, and solid aluminum phase plug

