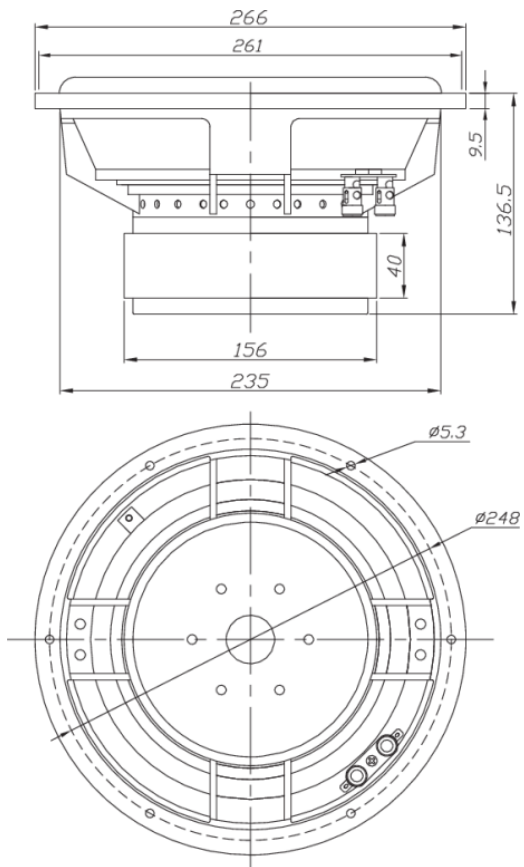




RSS265HF-8 10" Reference HF Subwoofer 8 Ohm

RSS265HF-8



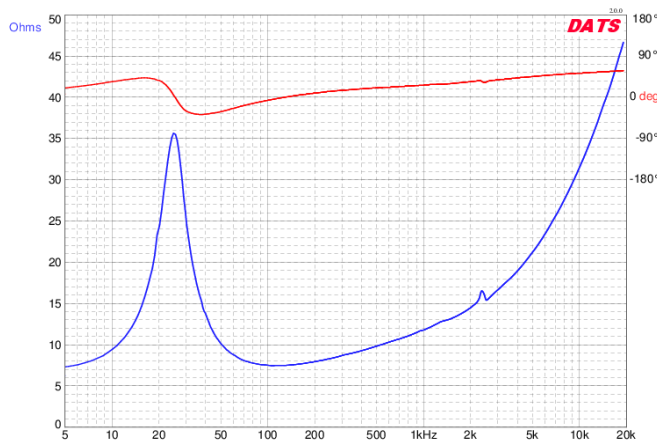
PARAMETERS

Impedance	8 ohms
Re	6.5 ohms
Le	1.57 mH @ 1 kHz
Fs	24.9 Hz
Qms	2.68
Qes	0.59
Qts	0.49
Mms	131g
Cms	0.31 mm/N
Sd	346.4 cm ²
Vd	495.3 cm ³
BL	15 Tm
Vas	52.5 liters
Xmax	14.3 mm
VC Diameter	65.5 mm
SPL	84.2 dB @ 2.83V/1m
RMS Power Handling	350 watts
Usable Frequency Range (Hz)	25 - 2,000 Hz

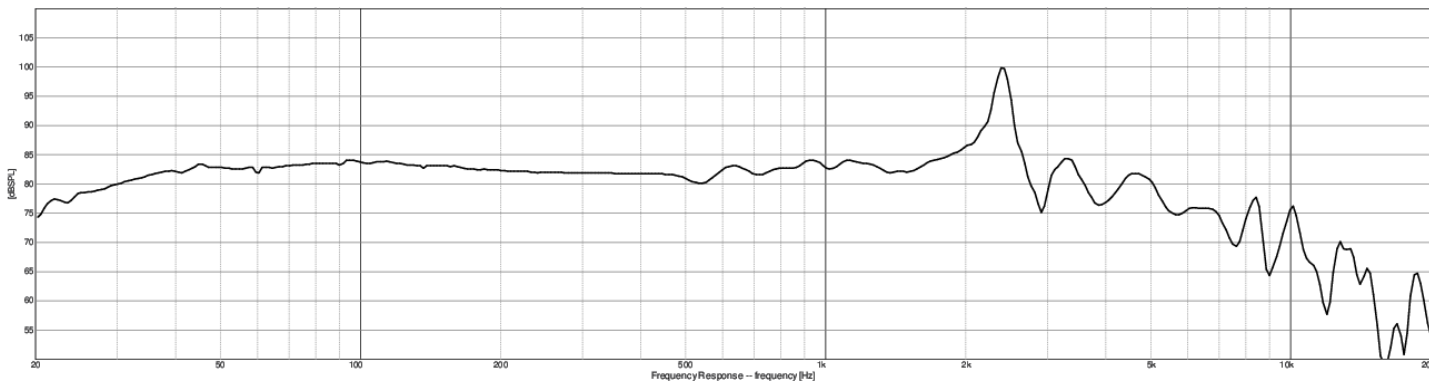
FEATURES

- Extensively vented motor eliminates power compression and allows quiet excursion
- Lighter-weight black anodized aluminum cone minimizes moving mass
- 2-layer coil for reduced back EMF
- Triple shorting-ring motor for ultra-low distortion
- Optimized for large enclosures

IMPEDANCE/PHASE



FREQUENCY RESPONSE



Note: 1/24th octave smoothing - nearfield response included in graph below 450 Hz.

Black = 0°