



FT17H

Features

- High cost performance horn tweeter
- Well extended high frequency, 5kHz to 50kHz
- Shielded magnet circuit is employed

Specifications

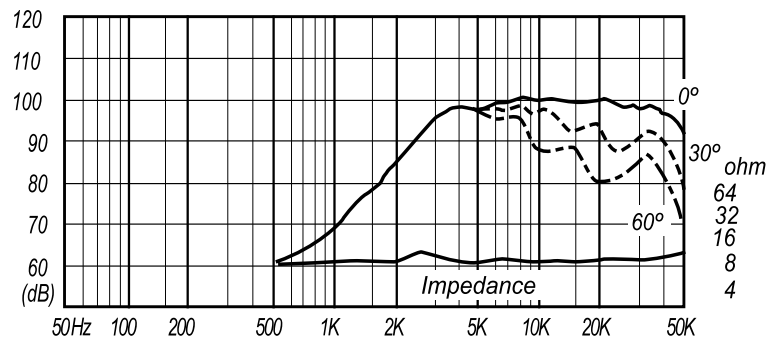
&

Thiele/Small Parameters

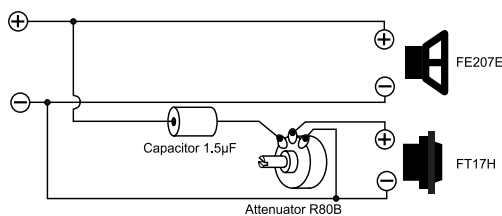
Impedance	: 8	Ω
Reproduction Frequency Response	: 5 kHz - 50 kHz	
S.P.L.	: 98.5	dB/W(m)
Power Handling	: 30	W (music)
Cutoff Frequency	: 2.6	kHz
Recommended Crossover Frequency	: 5	kHz or more
Magnet Weight	: 113.5	g / 0.25 lb
Net Weight	: 340	g / 0.75 lb



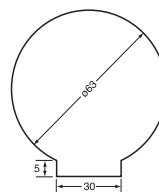
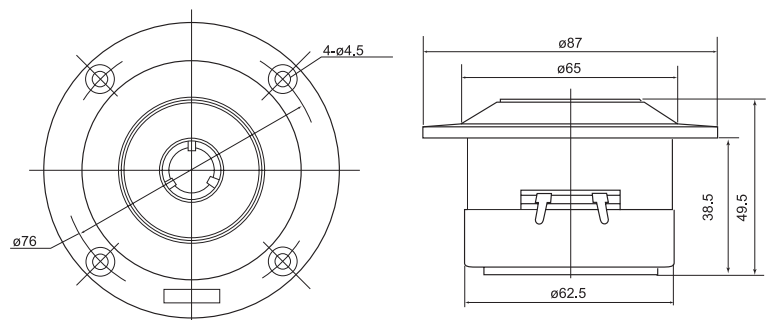
Frequency Response / Impedance



Configuration Example



Dimensions & Mounting Information



Overall Diameter	: 87	mm / 3.5	in
Baffle Hole Diameter	: 65	mm / 2.4	in
Depth	: 49.5	mm / 1.9	in