

# Jensen®

loudspeakers

Vintage  
AlNiCo

P 8 R 8Ω  
Code ZJ04040  
8" 25W

LOWS:  
Loose

MIDS:  
Subdued

HIGHS:  
Bright

OVERDRIVE:  
Smooth

Sound Features:

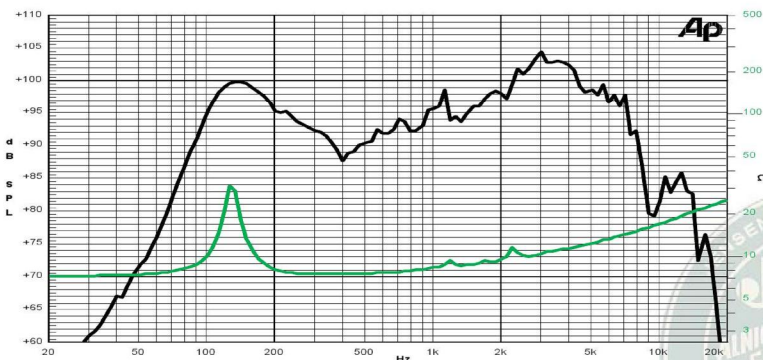
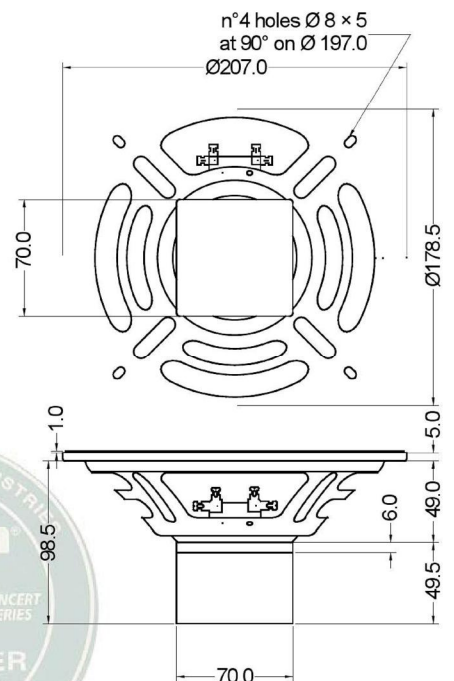
### Guitarist Description:

Warm and clean tone with emphasis on the highs. It responds to overdrive with a warm and bright fuzz lead voice.

Specifications	
Nominal Diameter	207 mm (8")
Nominal Impedance	8 Ω
Rated Power AES <sup>(1)</sup>	25 W
Continuous Program Power <sup>(2)</sup>	50 W
Sensitivity @ 1W/1m	91.8 dB
Voice Coil Diameter	25 mm
Voice Coil Winding Depth	4 mm
Magnetic Gap Depth	6 mm
Flux Density	0.96 T
Magnet Weight	200 g
Net Weight	1.2 kg

Thiele & Small Parameters <sup>(3)</sup>			
Re	6.60 Ω	Fs	135.0 Hz
Qms	8.67	Mms	8.8 g
Qts	2.28	Bxl	3.99 Tm
Cms	159 μm/N	Sd	213.8 cm <sup>2</sup>
Vas	10.3 l	Le (1kHz)	0.36 mH

Constructive Characteristics	
Magnet	AlNiCo
Basket Material	Pressed Sheet Steel
Voice Coil Winding Material	Copper
Voice Coil Former Material	Epotex
Cone Material	Paper
Surround Treatment	Yes
Surround Material	Paper - Integrated
Dust Dome Material	Solid Paper



Note:

- 1: Rated Power measured with 2 hours test with pink noise signal, 6dB crest factor, loudspeaker mounted on enclosure
- 2: Power on Continuous Program is defined as 3 dB greater than the Rated Power
- 3: Thiele & Small parameters measured with laser system without preconditioning test
- 4: Drawing dimensions: mm
- 5: The notch around 400Hz on the frequency response is typical of the measurement on IEC baffle

30/01/15

