



MHD-240

Order No.: 0103890

PRODUCTINFOS

Horn Tweeters

High-quality workmanship, with robust plastic horns, mainly made of ABS, in some cases glass fibre reinforced.

PA horn tweeter, 40 W, 8 Ω

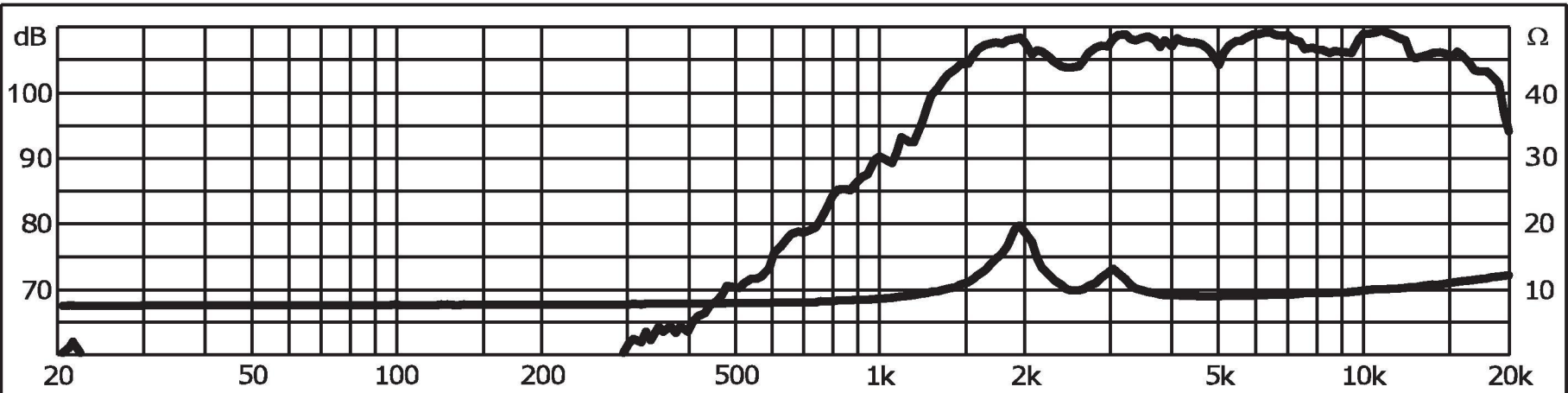
- CD horn tweeter (constant directivity)
- Very wide bandwidth reproduction
- Very good medium efficiency
- Special horn design
- Diecast reflector in front of the cone
- Highly consistent radiation pattern
- Suitable for any PA application
- Replacement voice coil MHD-230/VC is available at option

TECHNICAL SPECIFICATIONS

MHD-240

Impedance (Z)	8 Ω
Frequency range	fx-20,000 Hz
Resonant frequency (fs)	2 kHz
Rec. crossov. frequ. (fmax.) (12 dB/oct.)	3.5 kHz
Power rating (RMS)	40 W
Peak music power output (MAX)	80 W
SPL	107 dB/W/m
Radiation angle	40°/90°
Voice coil diameter	Ø 25 mm
Magnet diameter	Ø 80 mm
Mounting cutout	120 x 157 mm
Mounting depth	130 mm
Dimensions	205 x 163 x 130 mm
Width	205 mm
Height	163 mm
Depth	130 mm
Colour	black
Admiss. ambient temp.	0-40 °C
Weight	1.135 kg
Packing unit	1
Type of speaker	1"
Packing dimensions (W x H x L)	0.21 x 0.14 x 0.165 m
Gross weight	1.18 kg
Net weight	1.135 kg

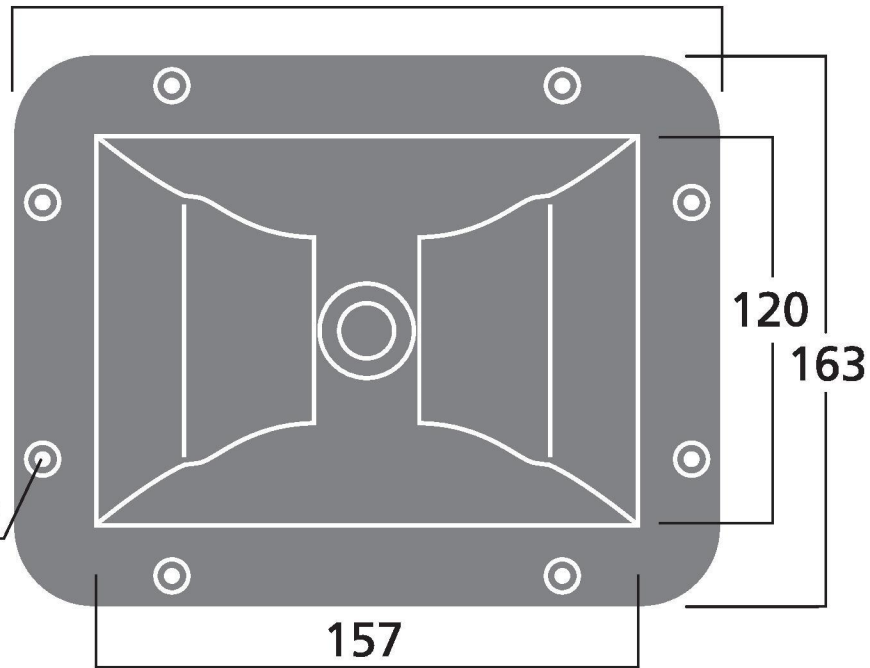
MHD-240 (10.3890)



MHD-240

205

5(8x)



130

