



ET 338-104

Elite Tweeter,

Ø 104mm, 8Ω

SPECIFICATIONS

General Data

| | | |
|------------------------------|------------|--------------------------------|
| Overall Dimensions | DxH | 104mm(4.09")x66mm(2.59") |
| Nominal Power Handling (DIN) | P | 200W |
| Transient Power 10ms | | 1000W |
| Sensitivity 1W/1M | | 92.5dB SPL |
| Frequency Response | | 1,800-20,000 Hz |
| Cone/Dome Material | | Acuflex™ hand coated soft dome |
| Net Weight | Kg | 1.08 |

Electrical Data

| | | |
|------------------------------|------------|--------|
| Nominal Impedance | Z | 8Ω |
| DC Resistance | Re | 5.2Ω |
| Voice Coil Inductance @ 1KHz | LBM | 0.09mH |

Voice Coil and Magnet Parameters

| | | |
|------------------------|------------|--------------------|
| Voice Coil Diameter | DIA | 28mm |
| Voice Coil Height | | 2.7mm |
| HE Magnetic Gap Height | HE | 2.5mm |
| Max. Linear Excursion | X | |
| Voice Coil Former | | Aluminum |
| Voice Coil Wire | | Hexatech™ Aluminum |
| Number Of Layers | | 2 |
| Magnet System Type | | Triple Ferrite |
| B Flux Density | B | 1.95 T |
| BL Product | BXL | 6.3 N.A |

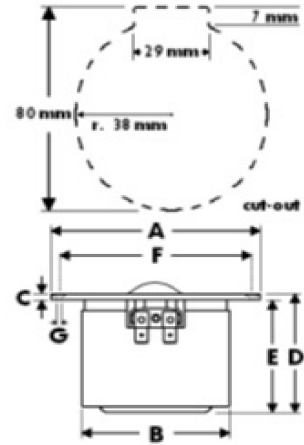
T-S Parameters

| | | | |
|---------------------------|------------|---------------------|--|
| Suspension Compliance | Cms | | |
| Mechanical Q Factor | Qms | | |
| Electrical Q Factor | Qes | | |
| Total Q Factor | Qts | | |
| Mechanical Resistance | Rms | | |
| Moving Mass | Mms | 0.44 g | |
| Eq. Cas Air Load (liters) | VAS | | |
| Resonant Frequency | Fs | 700 Hz 10% | |
| Effective Piston Area | SD | 6.0 cm ² | |

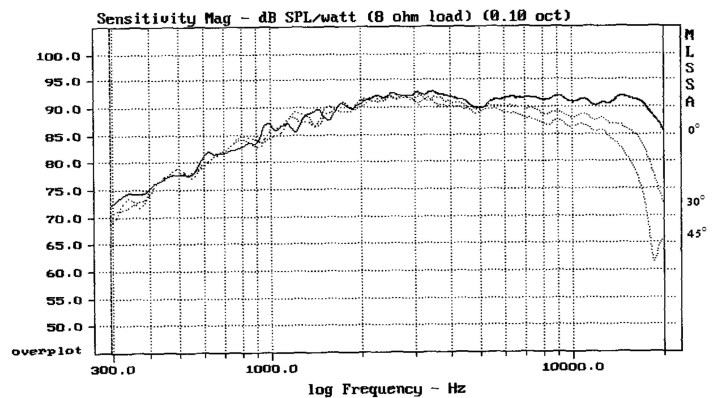
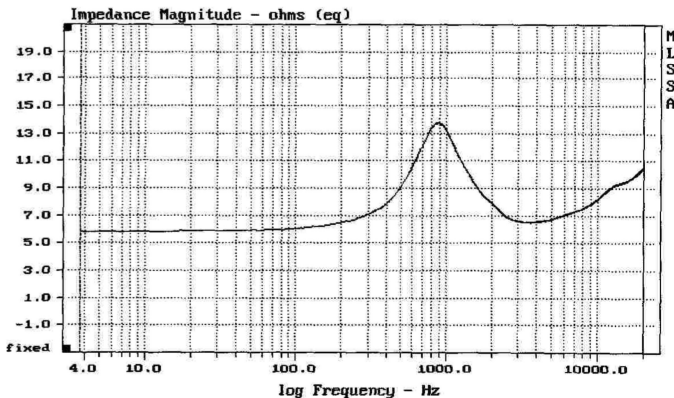
Features

- * 104mm IDR™ Improved Dispersion Recess
- * Aluminum Face Plate
- * Large Hexatech™ aluminum voice coil
- * Replaceable Acuflex™ dome / coil assembly
- * Triple magnet system
- * High power handling
- * Sturdy gold plated input tags

Unit Dimensions



| | |
|--|--------------|
| A - Overall diameter | 104mm |
| B - Magnet/Chamber diameter | 76mm |
| C - Flange thickness | 3mm |
| D - Overall height | 66mm |
| E - Magnet/Chamber depth | 63mm |
| F - Mounting holes location diameter | 94mm |
| G - 6 Mounting holes, at 60° interval, | |
| inner hole diameter | Ø 3.7mm |
| pocket | h 1mm, Ø 7mm |



Faceplate finish available in either Black or Silver

Morel operate policy of continuous product design improvement, consequently specifications are subject to alteration without prior notice.