

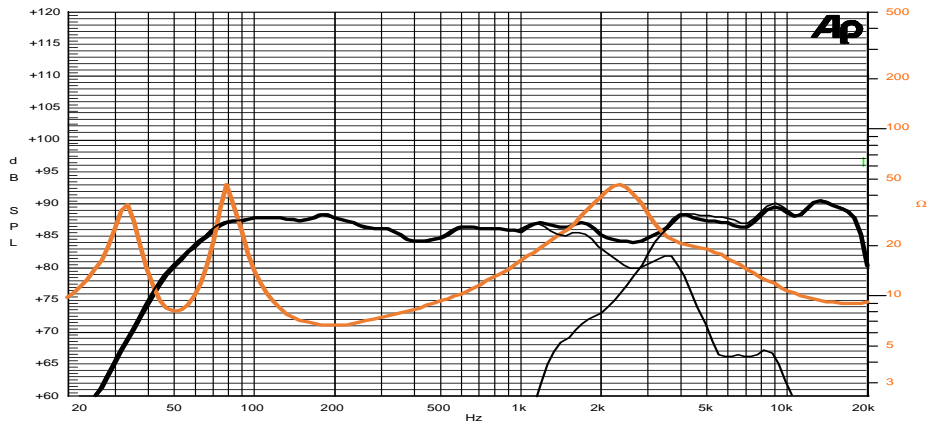
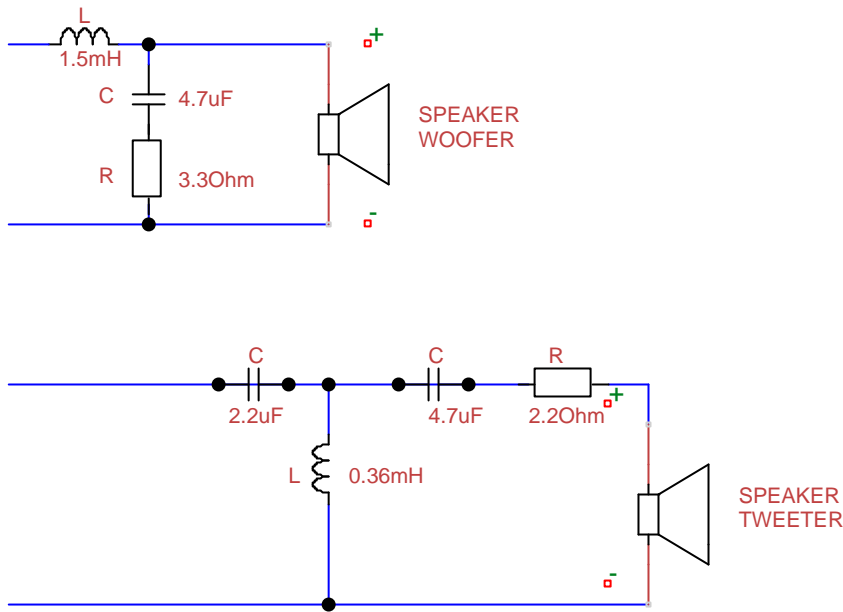
6,5 C 1,5 PL 8+8Ω

6,5" | 240 W

Code Z004102

Coaxial

CROSSOVER SUGGESTION



Frequency Response on 15 Lt @ 50 Hz Vented Box @ 1W, 1m
Free Air Impedance

(1) Rated Power measured with 2-hour test with pink noise signal, 6dB crest factor, loudspeaker in free air, power calculated on rated Z_{min} . (2) Power on Continuous Program is defined as 3dB greater than the Rated Power. (3) Calculated by Thiele & Small parameters, for SPL average in box refer to frequency response. (4) Thiele & Small parameters measured with laser system after preconditioning test. (5) Measured with respect to a THD of 10%. (6) Value corresponding to a decay of the Force Factor, or Compliance, or both, equal to the 50% of the small signal value. (7) Drawing dimensions: mm.