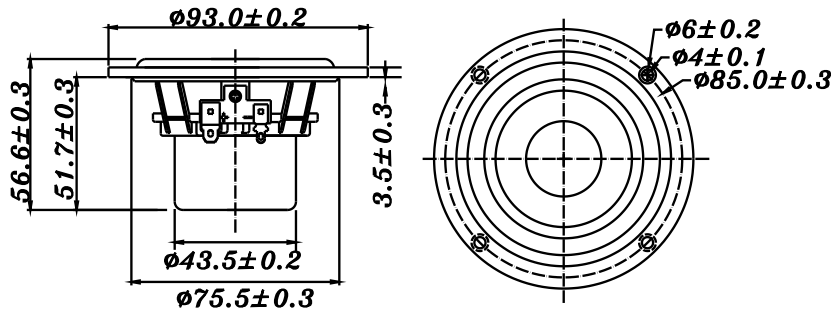


F SERIES

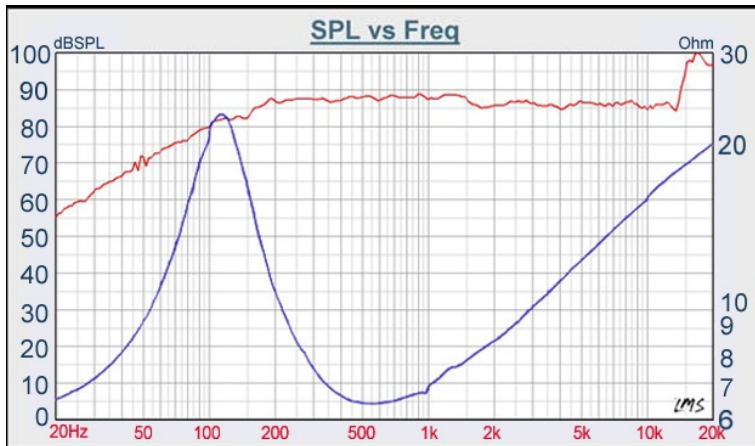
W3-1231SN



- FULL RANGE FREQUENCY RESPONSE
- HIGH POWER LOADING DESIGN
- DIE CAST BASKET, TITANIUM COLOR PAINTED, VC VENTED DESIGN
- TITANIUM CONE WITH SANTOPRENE SURROUND
- MAGNETICALLY SHIELDED
- UNDERHUNG MOTOR DESIGN

3" TI FULL RANGE

DIAPHRAGM MTL	Titanium
SURROUND MTL	Santoprene
NOMINAL IMPEDANCE	6 Ω
DCR IMPEDANCE	5.6 Ω
SENSITIVITY 1W/1m	88 dB
FREQUENCY RESPONSE	100 - 20K Hz
FREE AIR RESONANCE	100 Hz
VOICE COIL DIAMETER	25.4 mm
AIR GAP HEIGHT	8 mm
RATED POWER INPUT	15 W
MAXIMUM POWER INPUT	30 W
FORCE FACTOR, BL	4.42 TM
TYPE OF MAGNET	Neodymium
MOVING MASS	2.18 g
FERROFLUID ENHANCED	No
SUSPENSION COMPLIANCE	967.147 μMN^{-1}
EFFECTIVE PISTON AREA	0.0032 M^2
Levc	0.059 mH
Zo	28 Ω
X-max	1.25 mm
Vas	1.41 Liter
Qts	0.34
Qms	1.71
Qes	0.43



TB SPEAKERS

VOICE: 886.2.26570282 FAX: 886.2.26580166
E-MAIL: info@tb-speaker.com