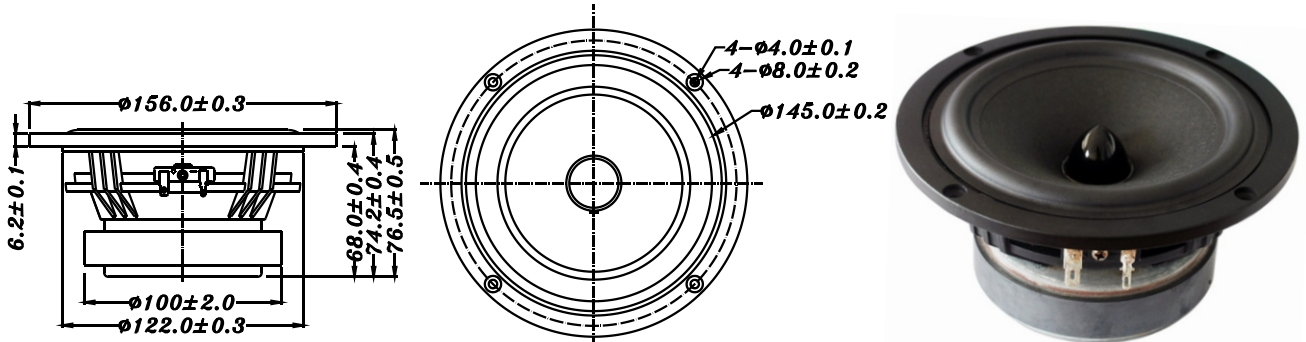


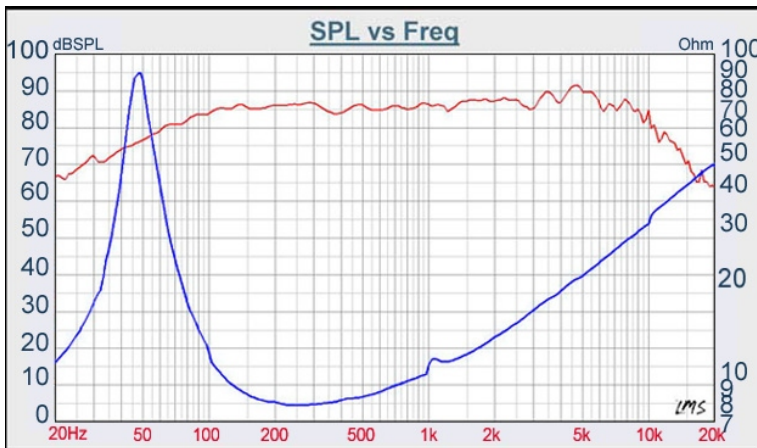
**PA** SERIES

**W5-1367B**



- PAPER CONE WITH CERAMIC POWDER TREATMENT
- HIGH INTERNAL LOSS RUBBER SURROUND
- DIE CAST BASKET
- ALUMINUM PHASE PLUG COOLING

**5" PAPER WOOFER**



DIAPHRAGM MTL	Paper
SURROUND MTL	Rubber
NOMINAL IMPEDANCE	8 Ω
DCR IMPEDANCE	6.6 Ω
SENSITIVITY 1W/1m	88 dB
FREQUENCY RESPONSE	50 -6K Hz
FREE AIR RESONANCE	50 Hz
VOICE COIL DIAMETER	25.4 mm
AIR GAP HEIGHT	6 mm
NOMINAL POWER	28 W
MUSIC POWER	56 W
FORCE FACTOR, BL	6.62 T M
MAGNET WEIGHT	(21 oz) 600 g
MOVING MASS	8.98 g
FERROFLUID ENHANCED	No
SUSPENSION COMPLIANCE	1160 MN <sup>-1</sup>
EFFECTIVE PISTON AREA	0.0094 m <sup>2</sup>
Levc	0.156 mH
Zo	90 ohm
X-max	3.25 mm
Vas	14.55 Litr
Qts	0.39
Qms	5.15
Qes	0.42



VOICE:886.2.26570282 FAX:886.2.26580166  
E-MAIL :info@tb-speaker.com