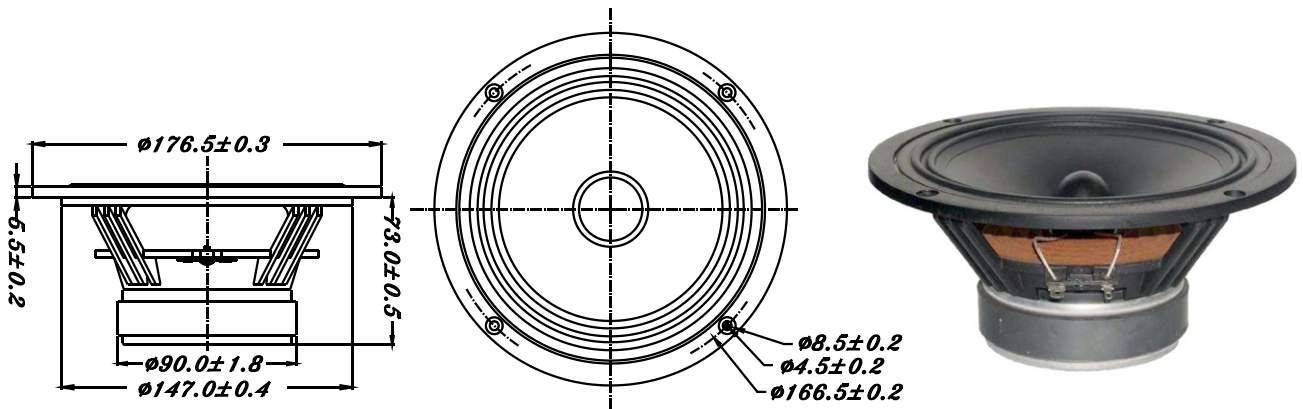


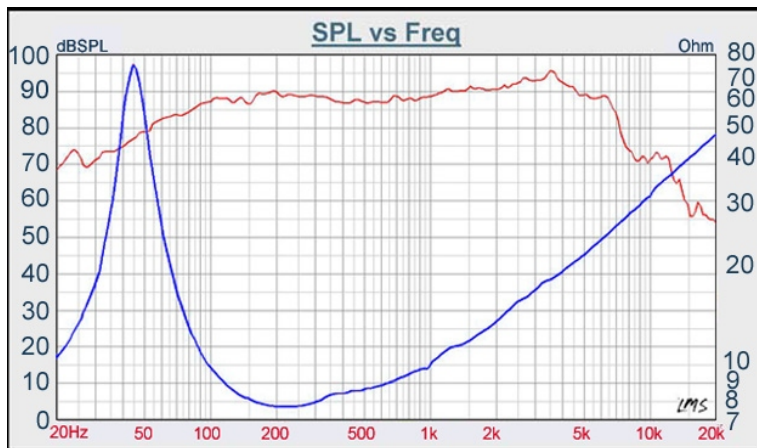
**PA** SERIES

**W6-623C**



- HIGH LINEARITY AND BALANCED EXCURSION DESIGN
- DIE CAST BASKET
- PAPER CONE WITH PATENTED RUBBER SURROUND
- CONEX SPIDER
- CCAW VOICE COIL WIRE
- INTENDED FOR MID-RANGE
- VENTED POLE PIECE

**6.5" PAPER WOOFER**



DIAPHRAGM MTL	Paper
SURROUND MTL	W shape rubber
NOMINAL IMPEDANCE	8 Ω
DCR IMPEDANCE	6Ω
SENSITIVITY 1W/1m	89 dB
FREQUENCY RESPONSE	46 - 5K Hz
FREE AIR RESONANCE	46 Hz
VOICE COIL DIAMETER	25 mm
AIR GAP HEIGHT	6 mm
RATED POWER INPUT	30 W
MAXIMUM POWER INPUT	60 W
FORCE FACTOR, BL	7.4 TM
MAGNET WEIGHT ( 16 oz)	451 g
MOVING MASS	13.8g
FERROFLUID ENHANCED	No
SUSPENSION COMPLIANCE	858 MN <sup>-1</sup>
EFFECTIVE PISTON AREA	0.014 M <sup>2</sup>
Levc	0.61 mH
Zo	49.27 ohm
X-max	4 mm
Vas	23.88 Litr
Qts	0.39
Qms	3.18
Qes	0.44



VOICE:886.2.26570282 FAX:886.2.26580166  
E-MAIL :info@tb-speaker.com