

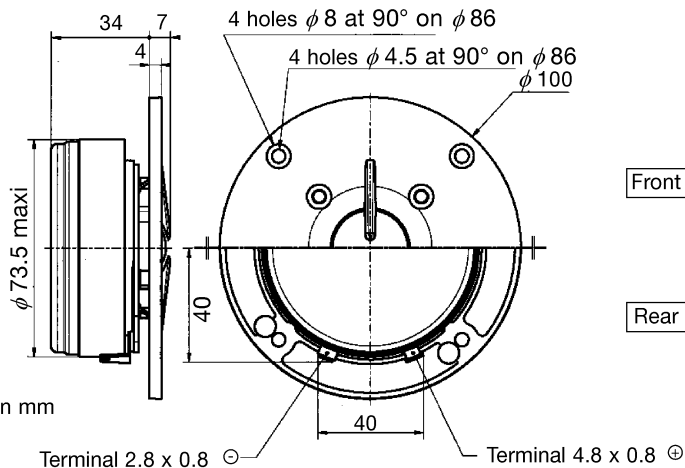
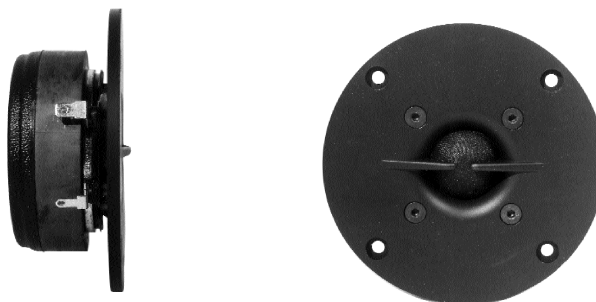
## TWEETER

TW025A12 D08TTP0010  
102141J

102302H

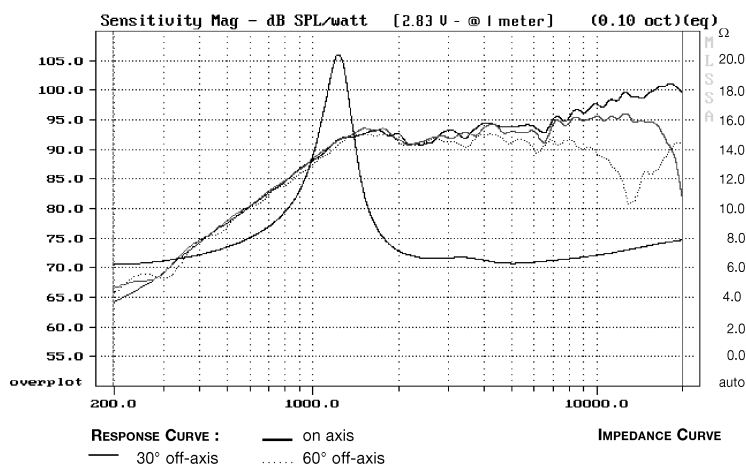
March .99

**Hi Fi . Round . Textile . Cavity . 8 Ω**

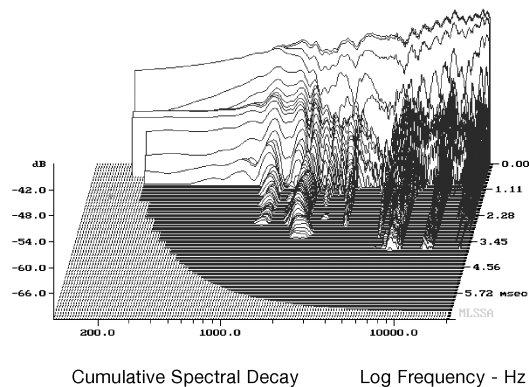


- Critically damped polyester based fabric dome coupled with polyethylene laminate
- Vented pole piece with double damping (front + vent)
- Solid zamack die cast face plate
- Ultra-light copper clad aluminium wire voice coil with braided wire
- Natural felt damped and tuned back chamber

## Response Curve



## Waterfall



## SPECIFICATIONS

Technical characteristics	Symbol	Value	Units
<b>PRIMARY APPLICATION</b>			
Nominal Impedance	Z	8	Ω
Resonance Frequency	Fs	1218,6	Hz
Nominal Power Handling	P	60	W
Sensitivity (2,83 V - 1m)	E	96	dB
<b>VOICE COIL</b>			
Voice Coil Diameter	φ	25	mm
Minimum Impedance	Zmin	6,3	Ω
DC Resistance	Dcr	5,8	Ω
Voice Coil Inductance	Lbm	0,08	mH
Voice Coil Length	h	1,5	mm
Former	-	Aluminium	-
Number of Layers	n	2	-
Wire type	-	round	-
Wire material	-	Aluminium	-

## MAGNET

Magnet Dimensions	φ x h	72 x 15	mm
Magnet Weight	m	0,245	kg
Flux Density	B	1	T
Force Factor	BL	-	NA <sup>-1</sup>
Height of Magnetic Gap	He	1	mm
Stray Flux	Fmag	-	Am <sup>-1</sup>
Linear Excursion	Xmax	± 0,75	mm

## PARAMETERS

Suspension Compliance	Cms	-	μm/N
Mechanical Q Factor	Qms	3,52	-
Electrical Q Factor	Qes	1,18	-
Total Q Factor	Qts	0,89	-
Mechanical Resistance	Rms	-	kg s <sup>-1</sup>
Moving Mass	Mms	-	g
Effective Piston Area	S	4,91	cm <sup>2</sup>
Volume Equivalent of Air at Cas	Vas	-	liters
Mass of Speaker	M	600	g

## Suggested Application

Crossover Frequency	Slope	Inductance	Capacitor	Power Handling
Hz	dB / Oct.	mH	mF	W
5060	6	-	4,7	60
2910	12	0,3	10	60