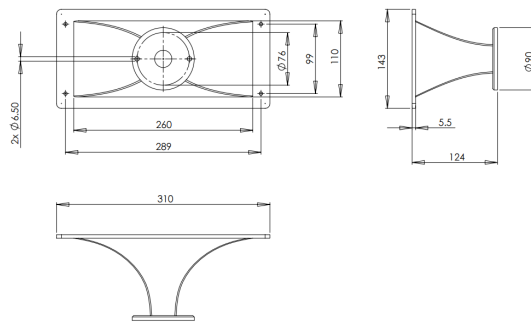
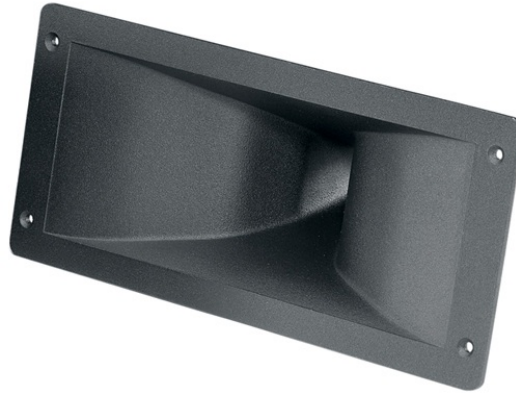


# ME45

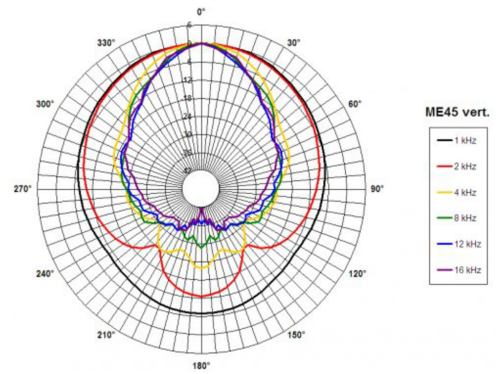
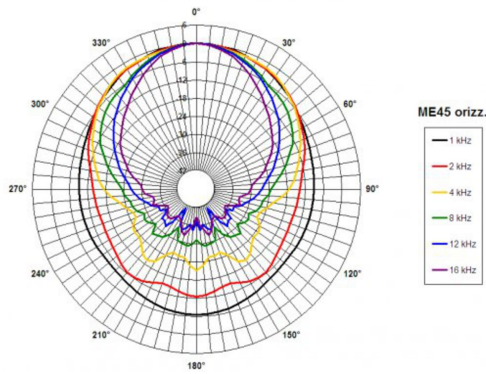
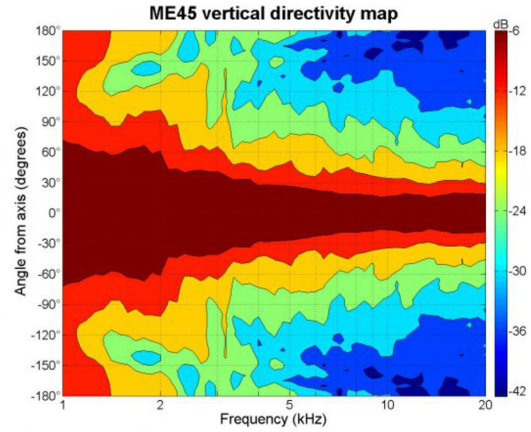
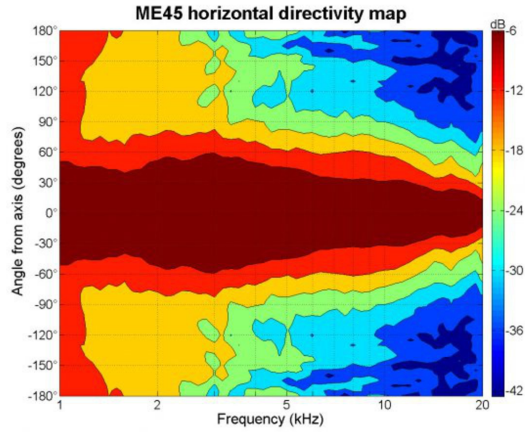
0Ω

**Horns** - 1.0 Inches

- 1" throat entry
- 90° x 40° nominal coverage
- Exponential flare
- Excellent loading down to 1 kHz

# ME45

Horns- 1.0 Inches



## SPECIFICATIONS<sup>1</sup>

Throat Diameter	25 mm (1.0 in)
Nominal Coverage Horizontal	90 °
Nominal Coverage Vertical	40 °
Cutoff Frequency	1.0 kHz
Material	Cast Aluminium
Dimensions	310x140x124 mm (12.2x5.6x4.9 in)

## MOUNTING AND SHIPPING INFO

Baffle Cutout Dimension	260x110 mm (10.2x4.3 in)
Air Volume Occupied by Horn	0.26 dm <sup>3</sup> (0.01 ft <sup>3</sup> )
Net Weight	0.8 kg (1.8 lb)
Shipping Units	4
Shipping Weight	4.9 kg (10.8 lb)
Shipping Box	540x350x185 mm (21.2x13.8x7.3 in)
Other Details	2x 6.5 mm (0.255 in) holes 180° on 76 mm (3 in) diameter

1. Horn mounted on B&C DE 25 compression driver.