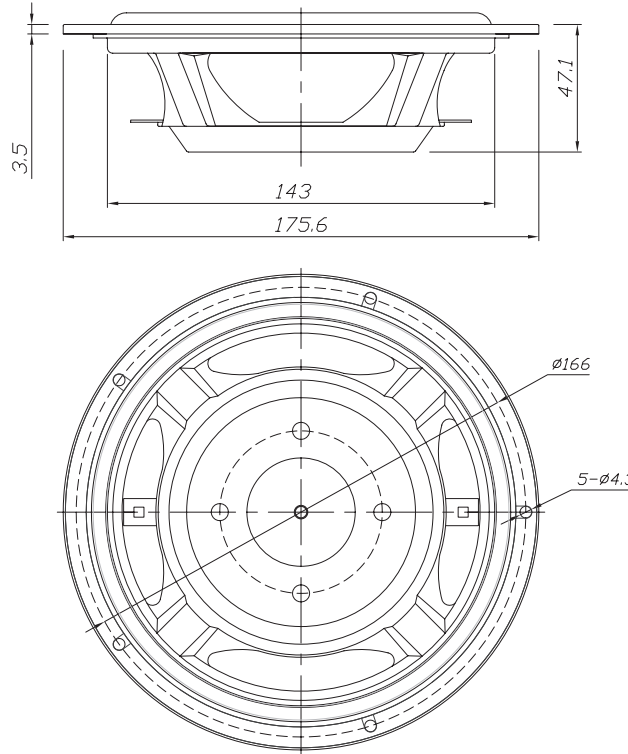


# SD175-PR

# 6-1/2" Passive Radiator



## Parameters

Impedance ( $\Omega$ )	—
Re ( $\Omega$ )	—
Le (mH) @ 1 kHz	—
Fs (Hz)	30.2
Qms	1.80
Qes	—
Qts	—
Mms (g)	37.5
Cms (mm/N)	0.74
Sd (cm <sup>2</sup> )	128.7
Vd (cm <sup>3</sup> )	103
BL (Tm)	—
VAs (liters)	17.3
XMAX (mm)	8
VC Diameter (mm)	—
SPL (dB 2.83V/1m)	—
RMS Power Handling (W)	—
Usable Frequency Range (Hz)	—

## Features

- Long-throw suspension system for clean excursion
- Rugged stamped frame design with rear spider
- Durable coated paper cone and rubber surround
- M5 threaded hole simplifies adding mass

Note: All dimensions in mm.

## Frequency Response

**N/A**

## Impedance/Phase

**N/A**