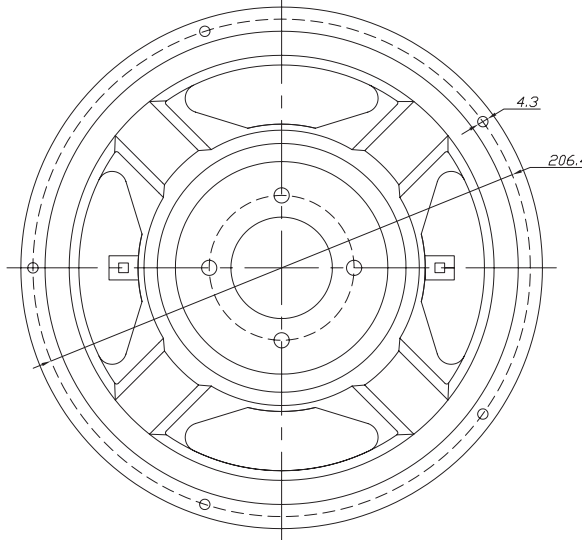
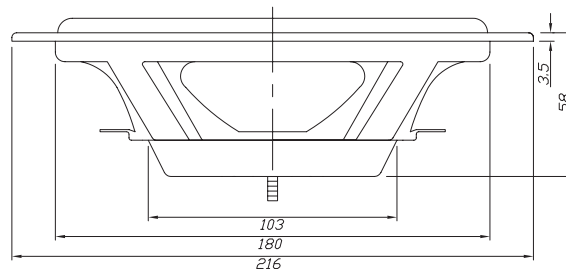


Features

- 8" heavy duty paper cone
- Built-in mass plug with threaded hole allows easy mass addition
- Full suspension system provides stable operation
- Rubber surround

Parameters

Impedance (Ω)	
Re (Ω)	
Le (mH) @ 1 kHz	
Fs (Hz)	21.0
Qms	2.00
Qes	
Qts	
Mms (g)	75
Cms (mm/N)	0.75
Sd (cm ²)	194.0
Vd (liters)	174.6
BL (Tm)	
VAS (liters)	1.4
XMAX (mm)	9
VC Diameter (mm)	
SPL (dB@1W/1m)	
RMS Power Handling (W)	
Usable Frequency Range (Hz)	



Note: All dimensions in mm.

Frequency Response

N/A

Impedance/Phase

N/A