

XT1464

Constant Coverage HF Horn

KeyFeatures

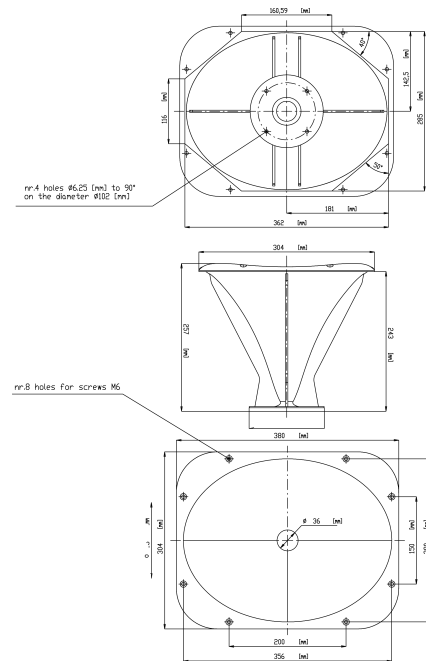
- 1.4 inch throat entry
- Unique Eighteen Sound elliptical shape (ESS)
- Injection moulded polyurethane construction
- Uniform on-axis and off-axis frequency response
- 60° x 50° horizontal and vertical constant coverage
- Very low distortion at high sound pressure levels

Description

Featuring the Eighteen Sound elliptical shape technology (ESS), the XT1464 constant coverage high frequency horn has been developed for use in sound systems, where the highest quality is required. With a 1.4 in throat entry, the XT1464 has been designed to exactly match the Eighteen Sound 1.4 in exit neodymium high frequency compression drivers. The XT1464 maintains nominal 60° Horizontal x 50° Vertical pattern control. It provides consistent on-axis and off-axis frequency response from 800Hz to 15kHz in the horizontal plane and from 1,5kHz to 15kHz in the vertical plane. Horn directivity is constant from 1.5kHz. Thanks to its compact vertical mouth dimensions, the XT1464 can easily be staked vertically when lower frequency control is required. The horn structure made from high-pressure die-cast polyurethane foam eliminates resonance and vibrations and assures maximum strength. The XT1464 provides low distortion and a spherical wave-front, avoiding reflections and other disadvantages usually associated with diffraction horns. The horn contours were developed using Computer Aided Finite Element Analysis.

Models

Model	Code	Information
421464000	421464000	



General Specifications

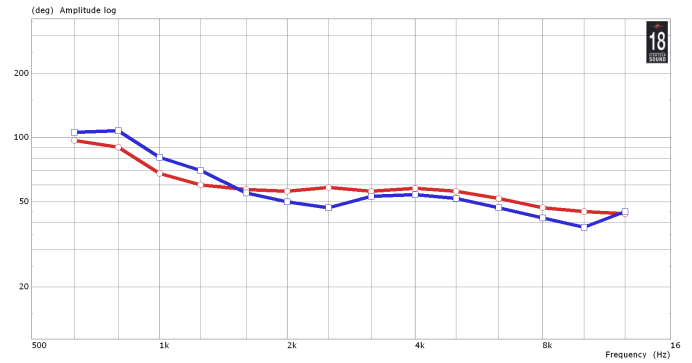
Throat Diameter	35,5 mm (1,4 in)
Horizontal Coverage (-6dB)	60° (8 ÷ -12) average range (1,25KHz - 12,5KHz)
Vertical Coverage (-6 dB)	50° (15 ÷ -10) average range (1,25KHz - 12,5KHz)
Directivity Index	18 dB (1,8 ÷ 2,6) average range (1,25KHz - 12,5KHz)
Usable Frequency Range	Above 500 Hz
Recomm. Cross.Frequency	800 Hz or more
Sensitivity	110 dB
Frequency Range	800 Hz - 18KHz
Material	Injection moulded polyurethane

Mounting information

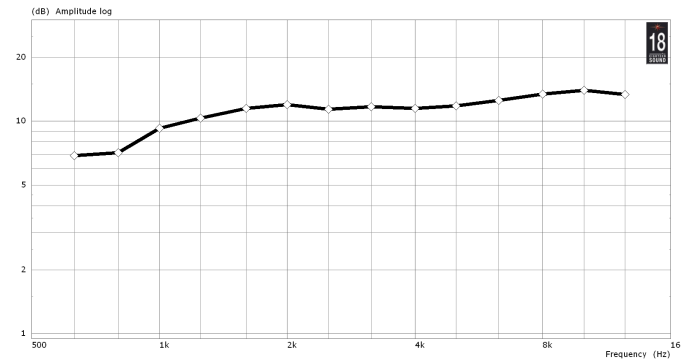
Mouth Height	304 mm (12 in)
Mouth Width	380 mm (15in)
Depth	257 mm (10,1 in)
Mouth Mounting Dimensions	8 ø6 holes
Net weight	1,3 Kg (2,87 lb)

Notes

1) Sensitivity is measured at 1W input on ND1480 rated impedance at 1m on axis from the mouth of the horn, averaged between 1kHz and 4 kHz.

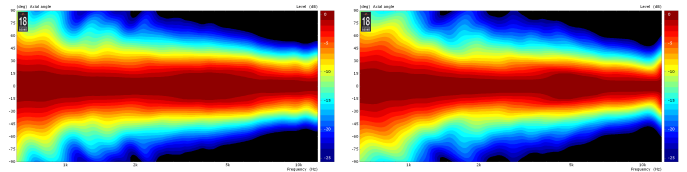


HORIZONTAL BEAMWIDTH - RED PLOT - VERTICAL BEAMWIDTH - BLUE PLOT - A

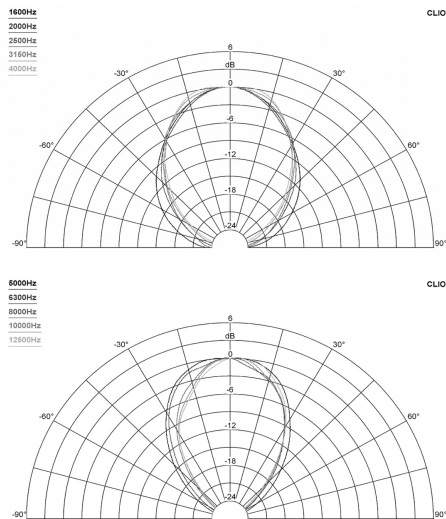


DIRECTIVITY INDEX - B

Horizontal and Vertical Polar Directivity Map



HORIZONTAL 1/3 OCTAVE POLAR PLOTS



VERTICAL 1/3 OCTAVE POLAR PLOTS

