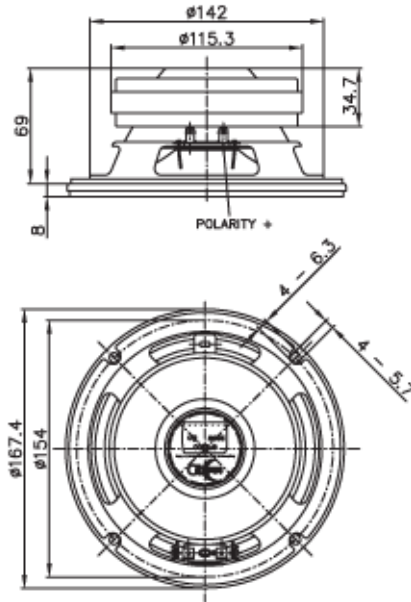




# 6FE200 Fe Series



## NOMINAL SPECIFICATIONS

Nominal Diameter	160 mm (6 in)
Overall Diameter	167.4 mm (6.59 in)
Bolt Circle Diameter	154 mm (6.06 in)
Baffle Cutout Diameter	144 mm (5.67 in)
Depth	77 mm (3 in)
Flange and Gasket Thickness	8 mm (0.31 in)
Net Weight	2 Kg (4.41 lb)
Shipping Box (Single Carton Box)	103x190x185 mm (4.06x7.48x7.28 in)
Shipping Weight	2.6 Kg (5.73 lb)

## ELECTRICAL SPECIFICATION

Nominal Impedance	8 Ohm
Minimum Impedance	6.8 Ohm
Nominal Power Handling *	130 W
Maximum Power Handling **	260 W
Sensitivity (1W/1m)	95 dB
Frequency Range	85-6000 Hz
Voice Coil Diameter	37 mm (1.46 in)
Winding Material	Al
Former Material	Kapton
Winding Depth	12 mm (0.47 in)
Magnetic Gap Depth	8 mm (0.31 in)
Flux Density	1 T

## THIELE & SMALL PARAMETERS

Fs	120 Hz
Re	5.9 Ohm
Qes	0.5
Qms	7.3
Qts	0.47
Vas	3.56 dm <sup>3</sup> (0.13 ft <sup>3</sup> )
Sd	118 cm <sup>2</sup> (18.29 in <sup>2</sup> )
Xmax ***	4.67 mm
Xdamage ****	10.4 mm
Mms	11 g
Bl	8.2 N/A
Le	0.4 mH
Mmd	9.5 g
Cms	0.18 mm/N
Rms	1 Kg/s
Eta Zero	1 %
EBP	240 Hz

## NOTES

(\* ) 2 Hours Test According to AES 2-1984 Rev. 2003

(\*\* ) Maximum power is defined as 3dB greater than nominal power.

(\*\*\* )  $X_{max} = [(winding\ depth - magnetic\ gap\ depth) / 2] + (magnetic\ gap\ depth / 3)$

(\*\*\*\* ) Maximum excursion before permanent damage

## CURVES

---

