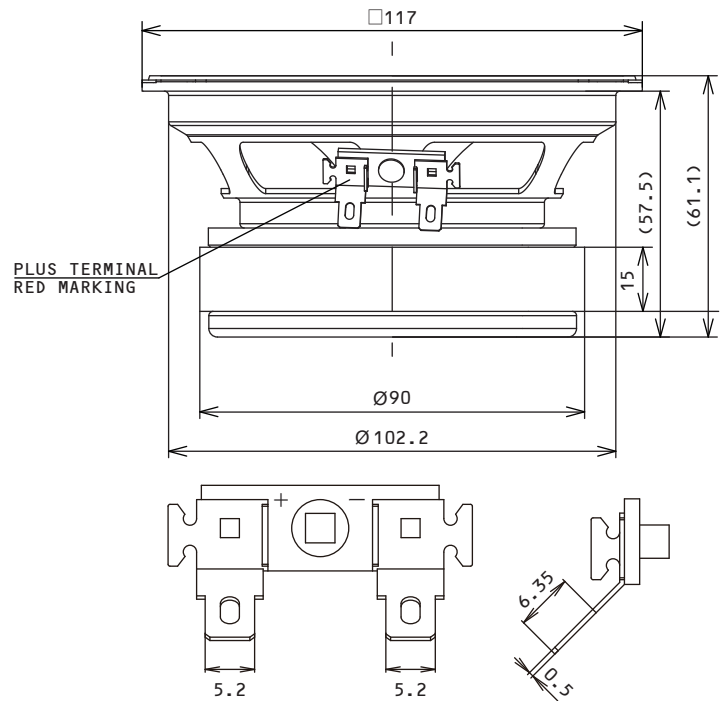
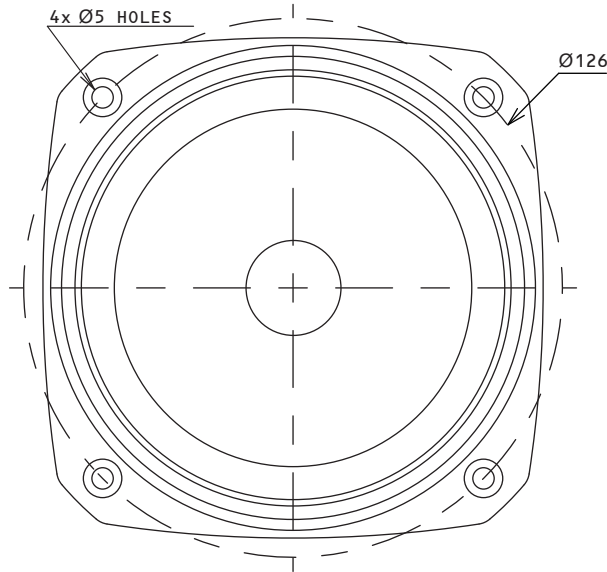


Fostex

12cm Fullrange speaker unit
FE126NV2

Specification Sheet

Dimensions / Polarity



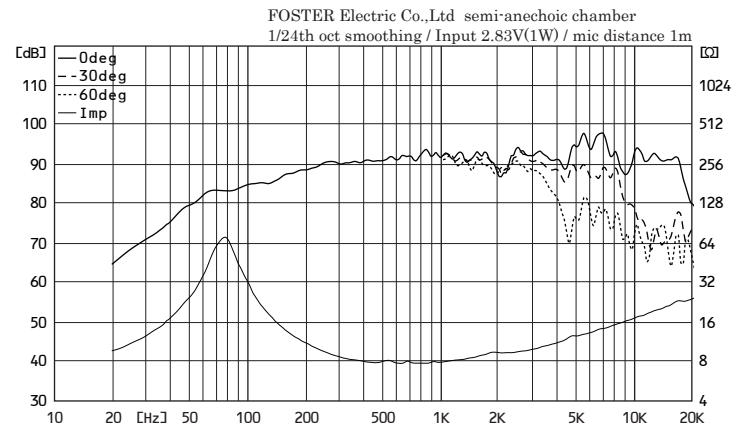
Standard Accessories

Speaker unit : 1pc	Safety precautions : 1pc
Screw : 4pcs	
Washer : 4pcs	
Spacer : 1pc	

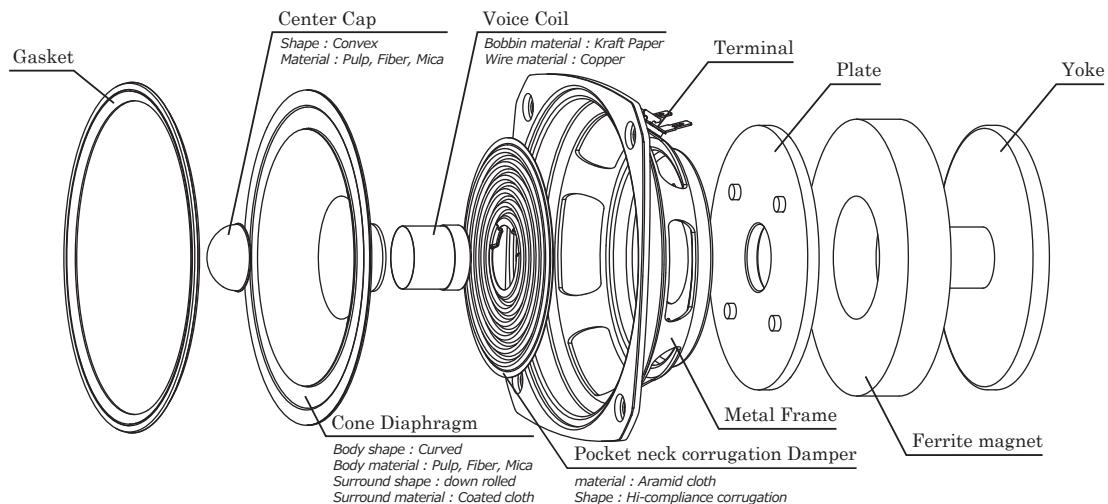
Specifications & Thiele / Small Parameters

Electrical Parameters	Nominal Impedance	8.0	ohm
	Re	7.1	ohm
	Le	0.2	mH
Mechanical Parameters	fs (F0)	79.1	Hz
	Mms (M0)	3.0	g
	Cms	1.4	mm/N
	Bl	5.3	N/A
Loss Factors	Qms	3.51	-
	Qes	0.37	-
	Qts (Q0)	0.34	-
Other Parameters	SPL (1m/1W)	92.0	dB
	Equivalent Diaphragm Radius (a)	46.0	mm
	Rated Input	15	W
	Max Input	45	W
	Overall Diameter	□117	mm
	Voice Coil Diameter	20	mm
	Reproduction Frequency Response	fs to 20k	Hz
	Vas	8.5	L
	Baffle Hole Diameter	Φ104	mm

Frequency Response



Components



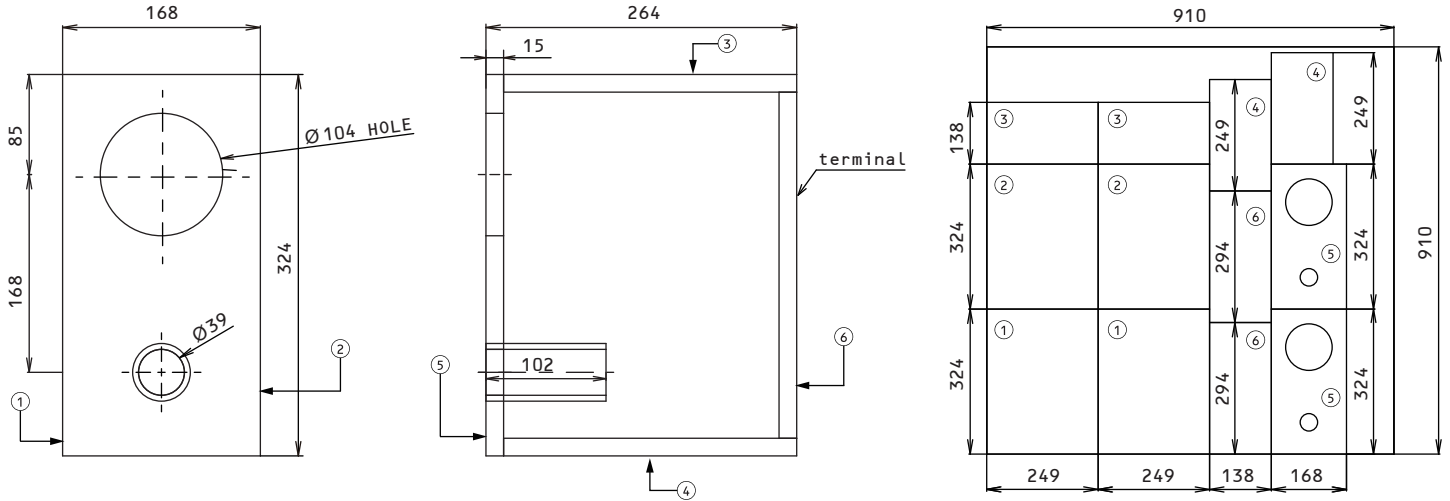


12cm Fullrange speaker unit
FE126NV2

Application Sheet

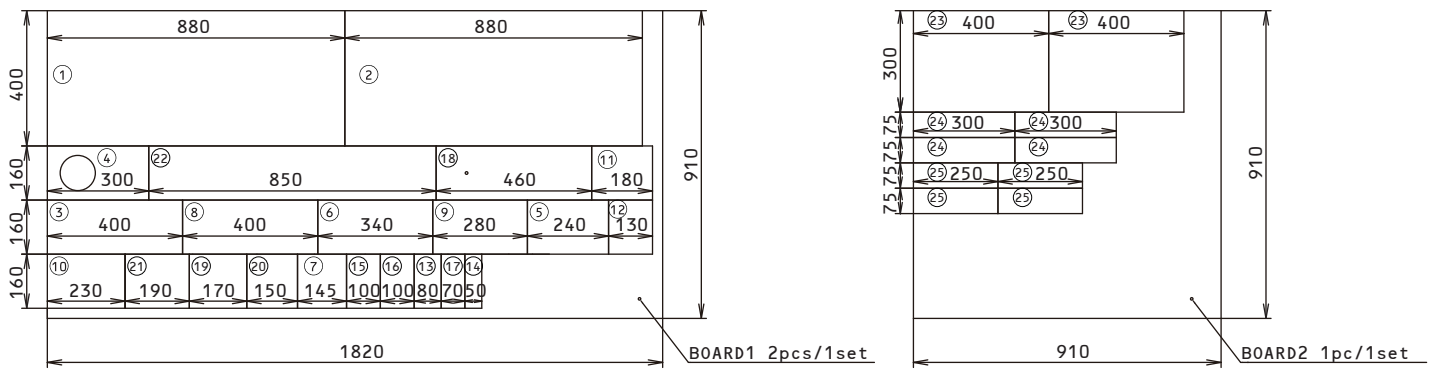
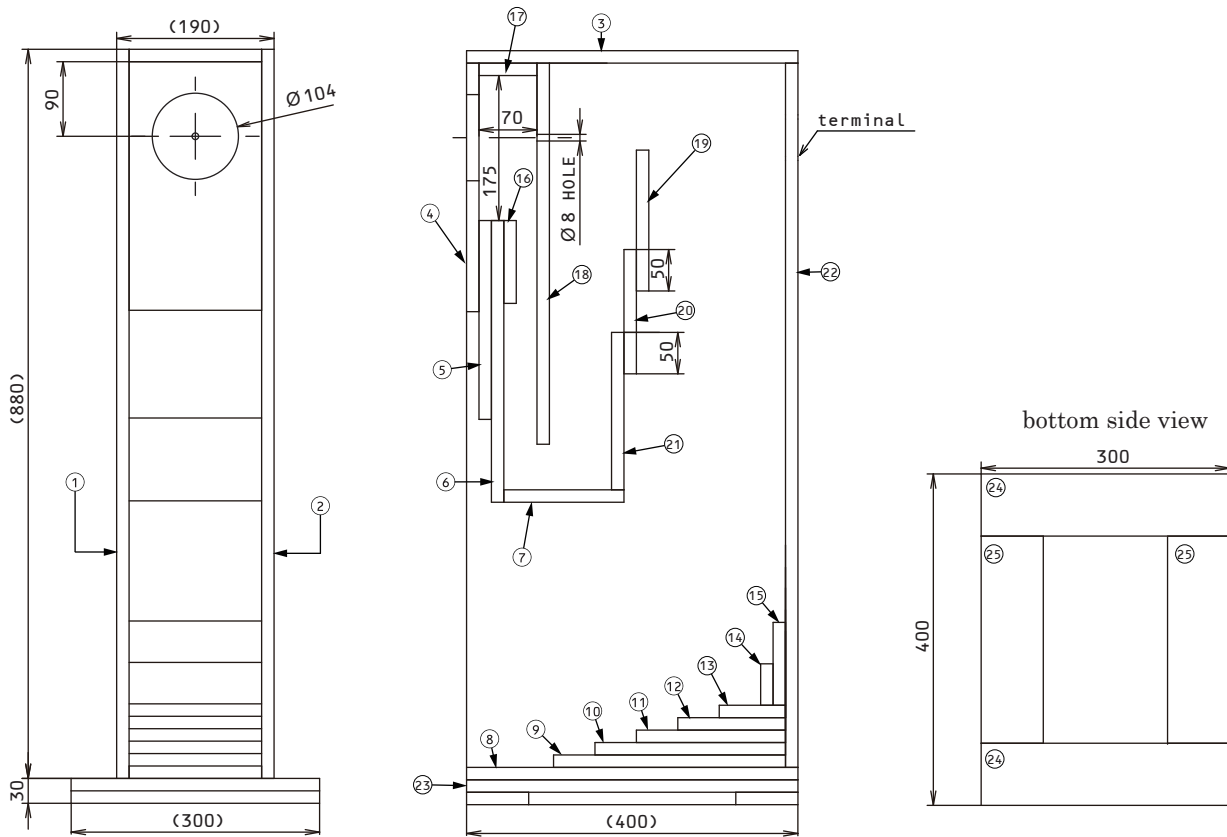
Bass Reflex type Enclosure

thickness : 15mm



Backloaded horn type Enclosure

thickness : 15mm



※Please visit our website for more details.