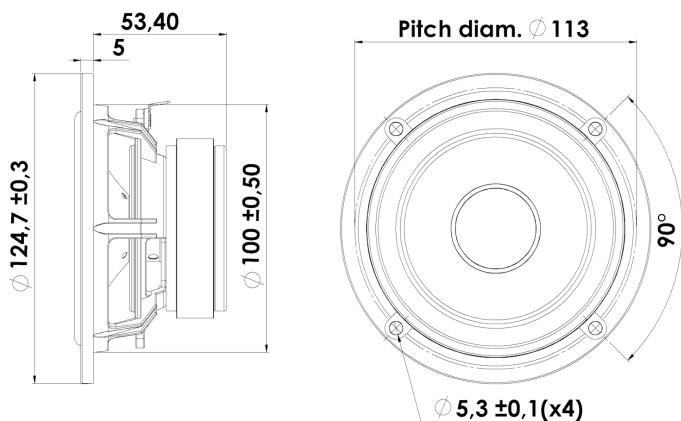


12 cm Midwoofer

12W/8524G00



T-S Parameters:

Resonance frequency [fs]	52 Hz
Mechanical Q factor [Qms]	3.42
Electrical Q factor [Qes]	0.35
Total Q factor [Qts]	0.32
Force factor [Bl]	5.4 Tm
Mechanical resistance [Rms]	0.54 kg/s
Moving mass [Mms]	5.6 g
Compliance [Cms]	1.67 mm/N
Effective diaph. diameter [D]	86 mm
Effective piston area [Sd]	59 cm ²
Equivalent volume [Vas]	8.2 l
Sensitivity (2,83V/1m)	86 dB

Mechanical Data:

Voice coil diameter	25 mm
Voice coil height	10 mm
Voice coil layers	2
Gap height	4 mm
Linear excursion	± 3 mm
Max mech. excursion	± 9 mm
Unit weight	1 kg
Cabinet Displacement Volume	0.12 l

Electrical Data:

Nominal impedance [Zn]	8 Ω
Minimum impedance [Zmin]	6.6 Ω
Maximum impedance [Zo]	48.2 Ω
DC resistance [Re]	5.7 Ω
Voice coil inductance [Le]	0.6 mH

Power Handling:

100h RMS noise test (IEC 18.4)	40 W
Long-term max power (IEC 18.2)	70 W
X-over:	None

Key Features:

- Wide Operating Frequency Range
- Suitable for 2-way or 3-way (as midrange)
- Coated NRSC Fibre Glass Cone (patent)
- Low Damping SBR Rubber Surround
- Die cast Alu Chassis vented below spider

Recommendations (please see Tech Note):

- Operating frequency range: fs-5000 Hz
- Cabinet volume - closed box: N.a.
- Cabinet volume - vented box: Vbox=4.5 ltr, fb=62 Hz, f(-3dB)=68 Hz

