

1" - 40W Compression Driver

CD 78.26/N92 TW 16 Ω

Code Z009451

GENERAL CHARACTERISTICS

Nominal Overall Diameter	78	mm
Nominal Voice Coil Diameter	25	mm
Magnet Weight	92	g
Flux Density.....	1.92	T
Weight.....	0.41	Kg

THIELE-SMALL PARAMETERS

Voice Coil DC Resistance	R_E	12.00	Ω
Resonance Frequency	f_s	1600	Hz

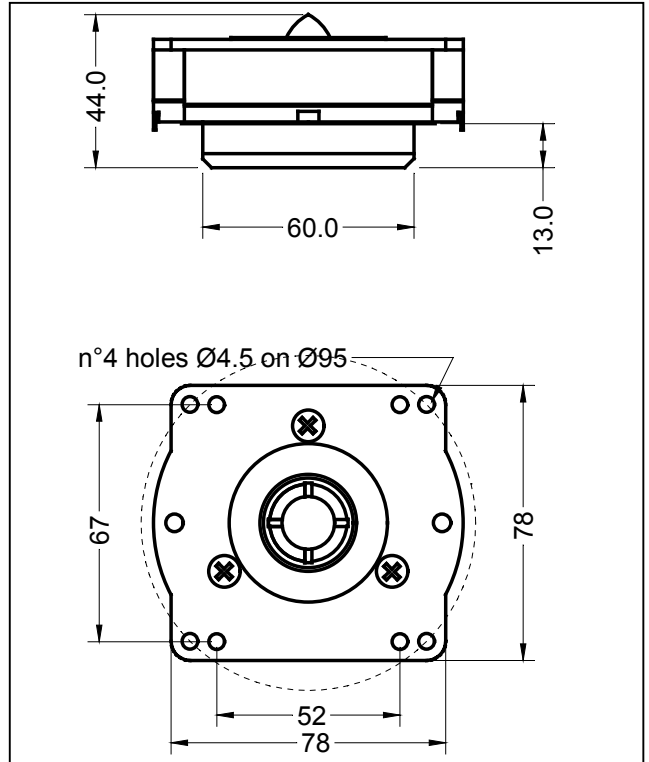
CONSTRUCTIVE CHARACTERISTICS

Magnet.....	Neodymium
Voice Coil Winding.....	Aluminium
Voice Coil Former.....	Kapton
Voice Coil Winding Height.....	2.1 mm
Diaphragm	Tri-acetate Film
Air Gap Height.....	2 mm
Ferrofluid in Air Gap	No
Throat Diameter	25 mm
Horn.....	ABS

NOTES

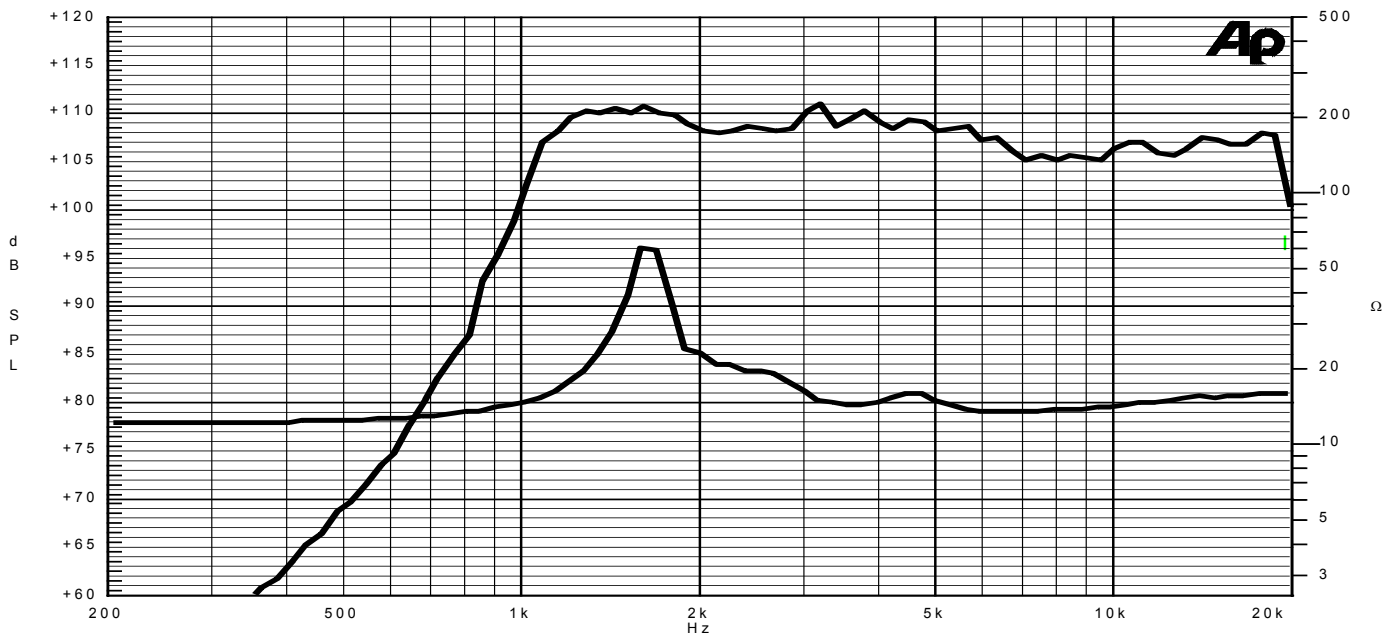
ELECTRICAL CHARACTERISTICS

Nominal Impedance.....	16	Ω
Musical Power	40	W
Rated Power*	20	W
Sensitivity @ 1 W, 1 m	107.4	dB



*rated power measured with 2 hours test with continuous pink noise signal, 6 dB crest factor, HP filter 3kHz-12dB/Oct

Free Air Frequency Response with horn @ 1 W, 1 m - Impedance (without horn)



Due to continuing product improvement, the features and the design are subject to change without notice.

07/11/06