

You are here: [Home](#) / [Products](#) / [DT 94 - 8 Ohm](#)

## Products

Art. No. 9004

# DT 94 - 8 Ohm



[Enlarge image](#)

**20 mm (0.8") polycarbonate HiFi driver** with round shaped front plate for the highrange above 3000 Hz. Balanced frequency response and good omnidirectional sound distribution. High power handling due to ferrofluid-cooled voice-coil.

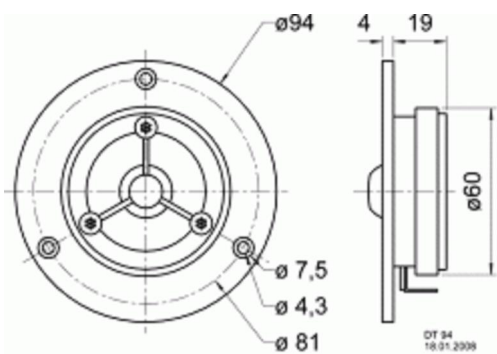
### Technical Data

Nominal impedance Z	8 Ohm
Frequency response	1200–22000 Hz
Mean sound pressure level	90 dB (1 W/1 m)
Opening angle (-6 dB)	84°/8000 Hz
Resonance frequency $f_s$	1900 Hz
Magnetic induction	1.2 T
Magnetic flux	185 $\mu$ Wb
Height of front pole-plate	2.5 mm
Voice coil diameter	20 mm
Height of winding	2 mm
Cutout diameter	64 mm
Net weight	0.24 kg

Total Q factor $Q_{ts}$	0.54
Effective piston area $S_d$	3 cm <sup>2</sup>
Dynamically moved mass $M_{ms}$	0.2 g
Inductance of the voice coil $L$	0.12 mH
Peak power handling with high pass	100 W (12 dB/Okt.; 4000 Hz) 50 W (12 dB/Okt.; 2000 Hz)
Nominal power handling with high pass	70 W (12 dB/Okt.; 4000 Hz) 50 W (12 dB/Okt.; 2000 Hz)

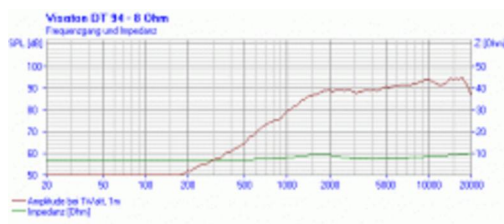
[Hide data](#)

## Sketch



[Enlarge image](#)

## Frequency- and impedance response



[Enlarge image](#)

## Directivity pattern



Any questions?

## Similar Products

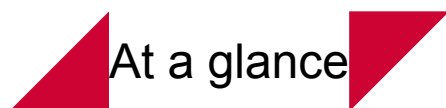
---

- » DT 94 - 4 Ohm
- » G 20 SC - 8 Ohm

## Used in / Accessories:

---

- » ALTO I
- » ALTO II
- » ALTO III C
- » FONTANA
- » FONTANELLA SAT
- » STARLET
- » ALTO LINE MK II



At a glance

---

## Products

- » Car-Hifi
- » Single Drivers / Accessories
- » Public Address
- » High End
- » Industry
- » Kits

## Service

- » Contact
- » Legal note
- » General terms and conditions
- » Sitemap
- » Distribution
- » Test Reports
- » Literature & Software

## About us

- » English
- » Deutsch
- » Español
- » Français
- » Italiano
- » Nederlands
- » Português
- » Türkçe
- » References

» [Imprint](#) » [Contact](#) » [Privacy statement](#) © 2017 VISATON GmbH & Co. KG