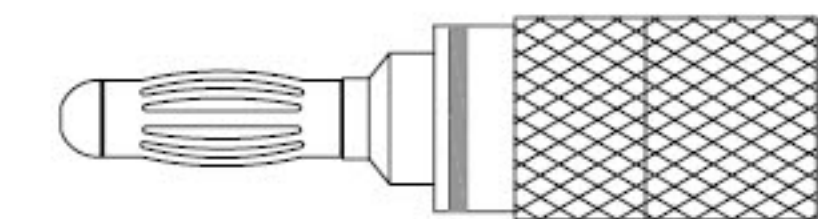
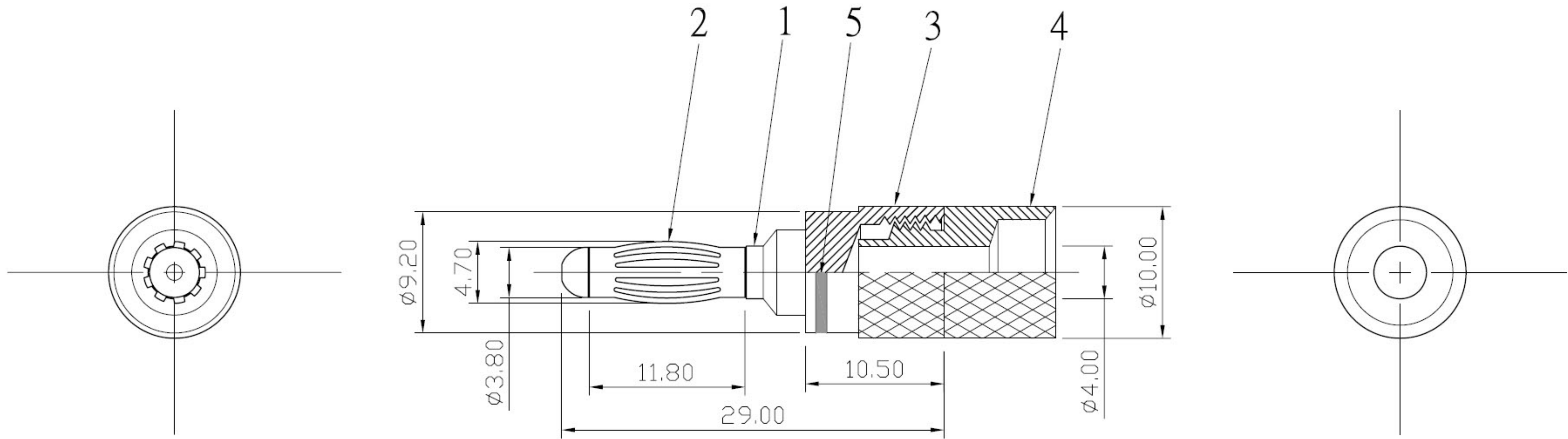


The tolerance without marking are all $\pm 0.25\text{mm}$


REMARK : RoHS REQUIREMENT APPLIED



S 1 : 1

COMPONENTS LIST

NO.	Description	Unit	Materials	Finish	Drawing No.
1	body	1	brass	gold	
2	contact	1	beryllium copper	gold	
3	shell	1	brass	gold	
4	headlock	1	brass	gold	
5	color ring	1	painting	black/red(nature)	

Check	Approved	 info@axiomediamedia.it www.axiomediamedia.it	
		TITLE	BANANA PLUG
Drawing By		2005.10.03	
SCALE	2 : 1	UNIT	MM
DRAWING NO.		05091202-3	