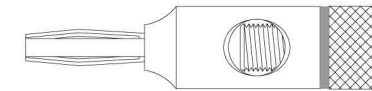
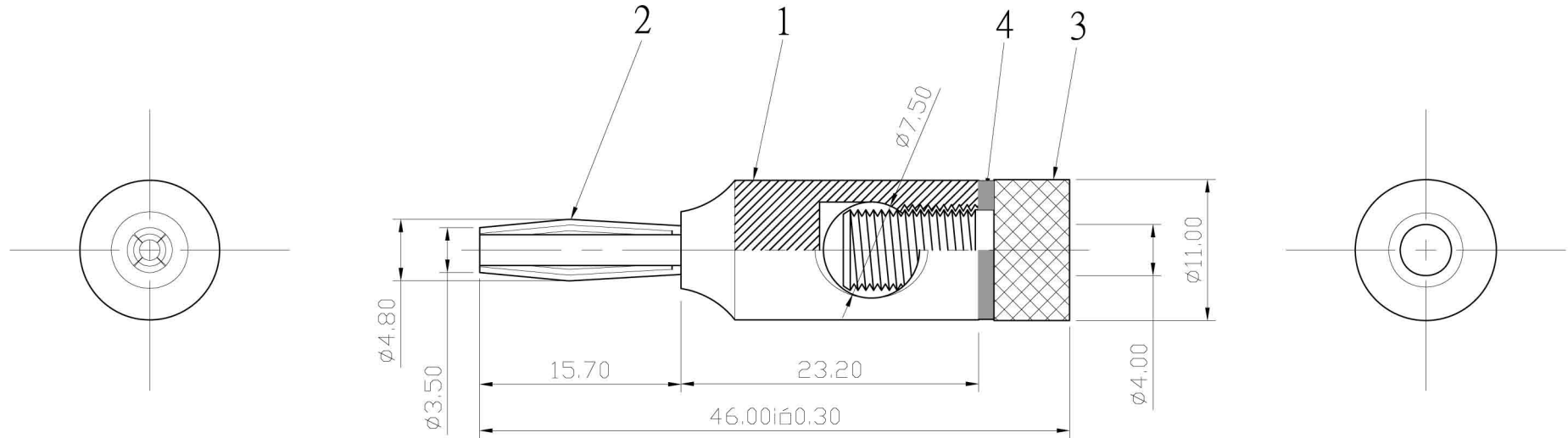


The tolerance without marking are all $\pm 0.25\text{mm}$


REMARK : RoHS REQUIREMENT APPLIED
(符合RoHS)



S 1 : 1

COMPONENTS LIST

NO.	Description	Unit	Materials	Finish	Drawing No.
1	body	1	brass	gold	
2	contact	1	brass	gold	
3	headlock	1	brass	gold	
4	washer	1	PVC	red/black(nature)	
5					

Check	Approved	 www.axiomediamedia.it info@axiomediamedia.it		
				TITLE
Drawing By		2005.10.24	PART NO.	BN06
SCALE	2 : 1	UNIT	MM	DRAWING NO.