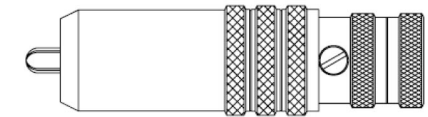
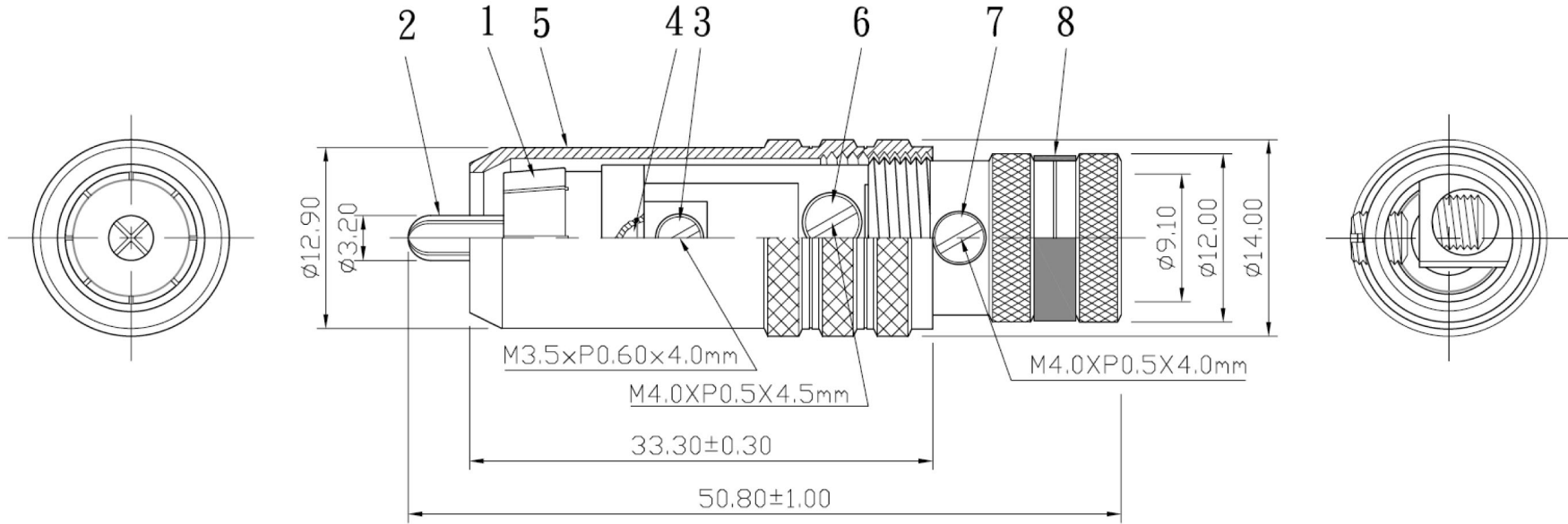


The tolerance without marking are all  $\pm 0.25\text{mm}$


REMARK : RoHS REQUIREMENT APPLIED



S 1 : 1

## COMPONENTS LIST

NO.	Description	Unit	Materials	Finish	Drawing No.
1	body	1	brass	gold	
2	contact	1	brass	gold	
3	screw	1	brass	gold	06050910
4	insulator	1	teflon	white(nature)	
5	shell	1	brass	zinc alloy	
6	screw	1	brass	gold	06050810
7	screw	1	brass	gold	06050807
8	color ring	1	PVC	black/red(nature)	

Check	Approved	 info@axiomedia.it www.axiomedia.it	
		TITLE	RCA PLUG
Drawing By		2007. 01. 29	PART NO. RC-01
SCALE	2 : 1	UNIT	MM
		DRAWING NO.	07012208-3