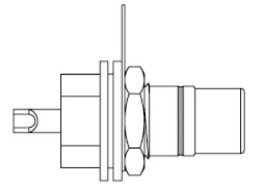
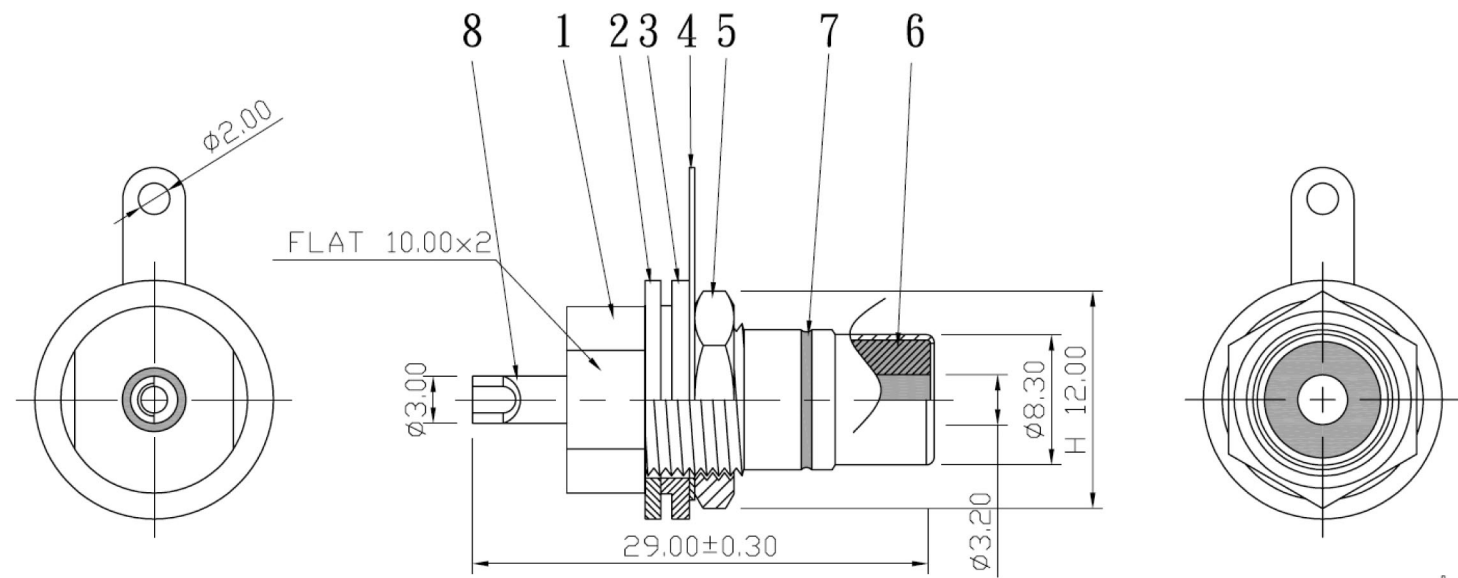


The tolerance without marking are all  $\pm 0.25\text{mm}$



S 1 : 1

### COMPONENTS LIST

No.	Description	Unit	Materials	Finish	Drawing No.
1	body	1	brass	gold	
2	washer	1	plastic	white(nature)	
3	washer	1	plastic	white(nature)	
4	solder tab	1	brass	gold	
5	hexangular nut	1	brass	gold	
6	insulator	1	teflon	white(nature)	
7	color ring	1	painting	red/black(nature)	
8	contact pin	1	brass	gold	

Check	Approved	<b>AXIOMEDIA</b>	
		www.axiomediamedia.it info@axiomediamedia.it	
Drawing By		2005. 01. 19	TITLE RCA JACK
SCALE	2 : 1	UNIT MM	PART NO. RC18
			DRAWING NO. 05011901-3