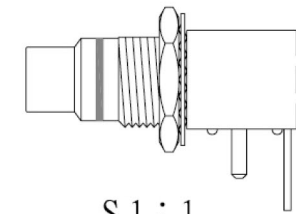
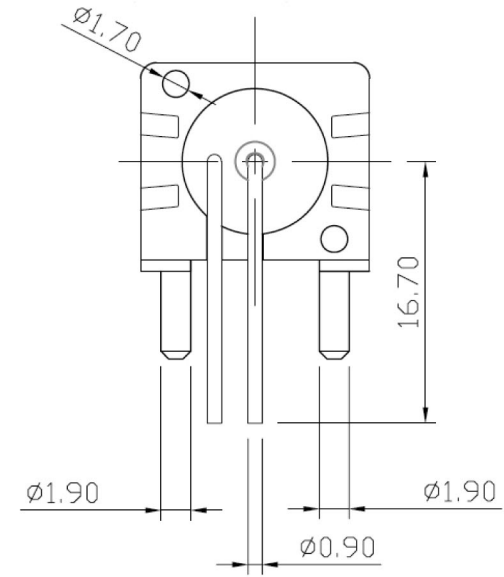
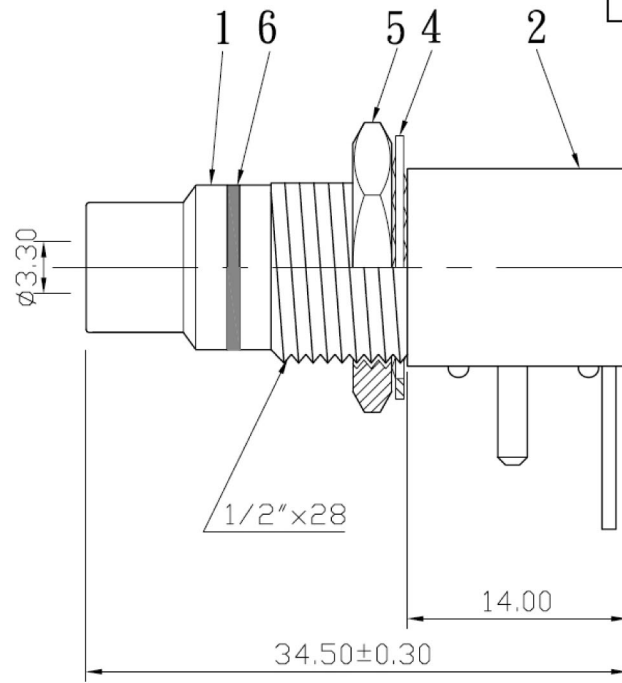
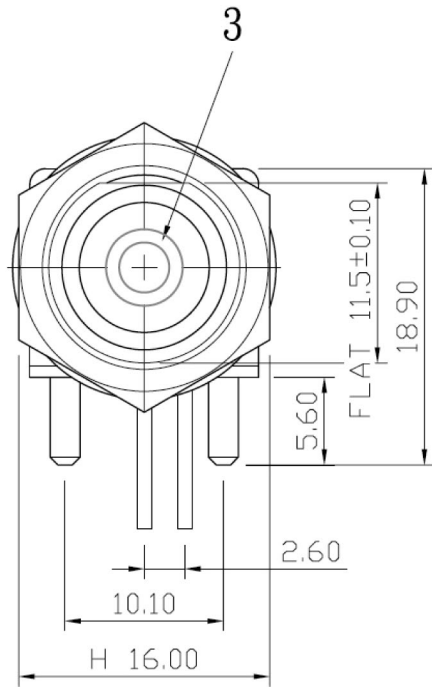


The tolerance without marking are all  $\pm 0.25\text{mm}$

REMARK : RoHS REQUIREMENT APPLIED



S 1 : 1

## COMPONENTS LIST

NO.	Description	Unit	Materials	Finish	Drawing No.
1	body	1	brass	gold	
2	shell	1	PBT resin 30% GF	black(nature)	
3	insulator	1	teflon	white(nature)	
4	washer	1	iron	gold	
5	nut	1	brass	gold	
6	color ring	1	PVC	red/black/white(nature)	

Check	Approved	<b>AXIOMEDIA</b>	
		www.axiomediamedia.it info@axiomediamedia.it	
Drawing By		2006. 11. 27	TITLE RCA JACK
SCALE	2 : 1	UNIT MM	PART NO. RC20
			DRAWING NO. 06112701-3